

SPECIFICATIONS

Housing: Die formed .050" aluminum welded construction. Painted Bronze (BZ)*. See Finish Note.

Reflector: Die formed .025" aluminum finished with high gloss baked white finish for maximum reflectance.

Ballast: Core and coil constant wattage autotransformer, high power factor with capacitor.

Lamp: Clear, mogul base (by others). See table.

Lamp Holder: Position oriented mogul socket, porcelain glazed, 4 K.V. rated, w/nickel plated copper screw shell, spring loaded center contact, lamp grips, SF-2 leads (200? C). Impregnated gasket.

Door Frames: Top: Tempered lens, silicone caulked, secured to housing with aluminum brackets. **Bottom:** Tempered lens sealed in 20 gauge stainless steel trim. Concealed hinging and 1/4 turn spring loaded fastener. Finish same as housing.

Lens: Prismatic C73 or clear tempered glass lens up or down positions. See ordering table.

Wall Bracket Assembly: One-piece cast aluminum bracket/arm assembly with access plate for wire inspection. Cast aluminum, wall mounting plate with 1/4" thick neoprene gasket. Quick disconnect wiring harness. Esco's **EZ5 Mounting System** allows the contractor to install the fixture in 5 minutes or less. Finished same as housing. See finish note.

Finish: Bronze (BZ)* detergent cleaned, prime coated. Chip resistant powder urethane polyester coating, electrostatic applied and baked.

Photometric Information: Contact factory or visit www.escolighting.com

Labels: ETL, CETL listed, suitable for wet location. I.B.E.W. labeled.

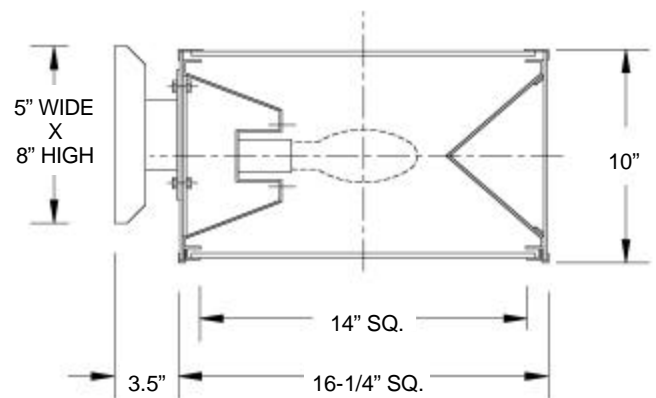
Fixture Warranty: The fixture mechanics are guaranteed to be free from defective material and workmanship, under normal installation and operating conditions, for five years from date of shipment from the factory. See General Terms and Conditions.

*Custom Colors Available - Consult Factory

SPECIFICATIONS SUBJECT TO CHANGE WITHOUT NOTICE



DIMENSIONS



WBE City of Chicago Certified

3254 North Kilbourn Avenue Chicago, Illinois 60641-4505
Phone: 773-427-7000 Fax: 800-217-1260 www.escolighting.com
Established 1975



HOW TO ORDER

Clear tempered glass lens up and down

Catalog Number	Light Source	Wattage
W52013	HPS	70
W52014	HPS	100
W52015	HPS	150
W52023	MH	70
W52024	MH	100
W520215	MH	150
W520217	MH	175

Clear tempered Corning #73 lens up and down

Catalog Number	Light Source	Wattage
W52213	HPS	70
W52214	HPS	100
W52215	HPS	150
W52223	MH	70
W52224	MH	100
W522215	MH	150
W522217	MH	175

Voltage Suffix

- 1= 120V
- 2= 208V
- 3= 240V
- 4= 277V
- 5= 480V
- 7= 220V
- 8= Multi-Tap wired for 277V
- 9= Multi-Tap Unwired
- 0= 347V

Clear tempered glass lens up tempered prismatic Corning #73 lens down

Catalog Number	Light Source	Wattage
W52113	HPS	70
W52114	HPS	100
W52115	HPS	150
W52123	MH	70
W52124	MH	100
W521215	MH	150
W521217	MH	175

Prismatic tempered Corning #73 lens up clear tempered glass lens down

Catalog Number	Light Source	Wattage
W52313	HPS	70
W52314	HPS	100
W52315	HPS	150
W52323	MH	70
W52324	MH	100
W523215	MH	150
W523217	MH	175

Color Suffix

- BZ= Textured Bronze
- BL= Textured Black
- W= Sky White
- SD= Silver
- Other Consult Factory

*Suffix catalog number with EX for core and coil epoxy filled ballast.

EXAMPLE ORDER NUMBER: W523215SD3= Metal halide lamp, 150 watts, silver finish, 240 volts.



WBE City of Chicago Certified

3254 North Kilbourn Avenue Chicago, Illinois 60641-4505
Phone: 773-427-7000 Fax: 800-217-1260 www.escolighting.com
Established 1975

