



Municipality R000 Series Architectural Recessed Downlight With 2x2 Lay-In Mounting Pan Philips QL Induction Lamp

Specifications

Mounting Pan

Nominal 2 X 2 pan, 20 gauge (.036") C.R.S. Finished matte white baked. Suitable for lay-in tee bar ceiling. Feed thru junction box maximum of 8 number 12 AWG branch circuit conductors suitable for at least 60°C permitted in box. See finish note

Reflector

Spun aluminum .063" thick, #3002, finished. Polished specular Alzak*.

Reflector Top

Spun aluminum .063" thick, perforated for flow through ventilation. Finished diffused anodized.

Ballast

Philips QL induction high frequency electronic ballast. 165W Operating in a range of 200 to 277 volts, 55W and 85W 120 volt, 50 or 60 Hz. Contact factory for other voltages.

Lamp

Philips QL induction electrodeless fluorescent lamp with average rated life 100,000 hours.

Trim Frame

Cast aluminum, gasketed, torsion spring lock-up. Finished Matte White. See finish note.

Finish

Detergent cleaned, and finished with chip resistant TGIC powder urethane polyester coating, electrostatic applied and baked.

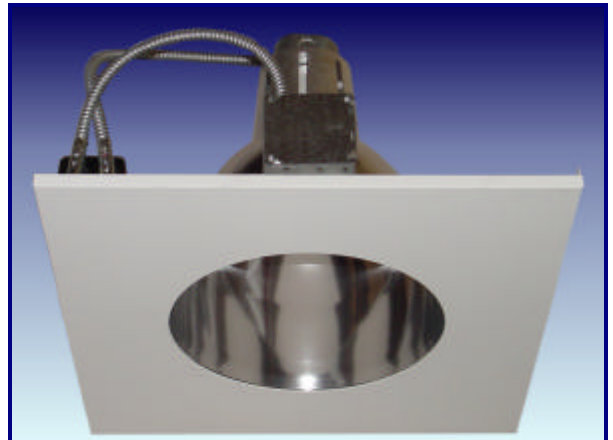
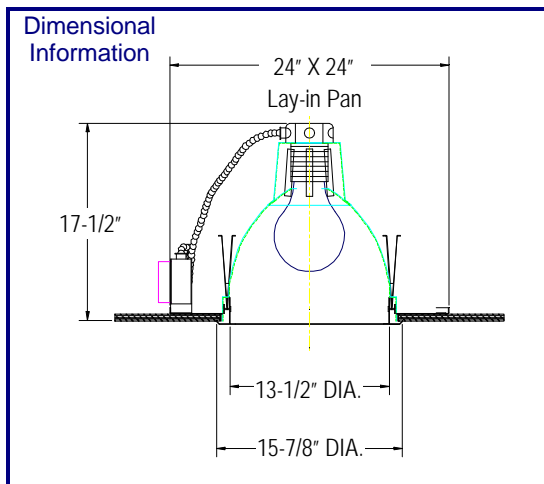
Labels

U/L listed, suitable for damp location & I.B.E.W. for wet location listing, consult factory.

Photometric Information

Contact factory or visit www.escolighting.com.

* ALZAK is a registered Trademark of the Aluminum Company of America.
SPECIFICATIONS SUBJECT TO CHANGE WITHOUT NOTICE



R000 SERIES LOW BRIGHTNESS OPEN DOWNLIGHT



R100 SERIES OPEN WITH
SPLAYED STEPPED BAFFLE

R200 SERIES CORNING #73
PRISMATIC GLASS LENS

HOW TO ORDER

Use the table below to choose the R000 series fixture of your choice. Select a number from each list that corresponds to a specific feature unique to your desired requirements.

EXAMPLE: R280 = Architectural downlight, prismatic glass lens, 85W QL induction lamp.

R X X 0

Aperture

Wattage

QL Induction Lamp

0= Clear Alzak open aperture no baffle.

7= 55W Induction lamp 3500 lumens.

1= Clear Alzak open aperture with baffle.

8= 85W Induction lamp 6000 lumens.

2= Corning #73 prismatic tempered glass lens.

9= 165W Induction lamp 12000 lumens.

Philips QL Induction Lamp and Ballast System

