



## SPECIFICATIONS

### Housing / Mounting Frame

20 gauge (.036") cold rolled steel die formed and welded construction. Housing shall have external junction box/ballast box housing with trap door allowing ballast to be changed through fixture. Fixture housing finished inside and outside sky white. See finish note. Adjustable Uni-Lug levelers, for ceiling thickness of 1/2" minimum to 3-3/4" maximum.

### Reflector

Aluminum finished high gloss white (90% reflectance) polyester powder coat. See Finish.

### Door Frame

20 gauge (.036") cold rolled steel die formed construction, secured to the housing with (4) number 8-32 countersunk screws with two safety cables. Integral silicone gasket between door frame and housing to complete

lifetime seal. Finished to match housing. See Finish Note.

### Lens

Prismatic tempered lens, 5/32" thick. Lens sealed with RTV sealant to door frame.

### Ballast

SYLVANIA QUICKTRONIC® induction high frequency electronic ballast 120-277V.

### Lamp

SYLVANIA ICETRON® from Osram Sylvania electrodeless fluorescent lamp with average rated life of 100,000 hours.

### Finish

Detergent cleaned with iron phosphate and chromic acid rust inhibitor. Chip resistant TGIC powder urethane polyester coating, electrostatic applied and baked.

### Labels

ETL, CETL listed suitable for damp location.

I.B.E.W. labeled.

### Warranty

The mechanics are guaranteed to be free from defective material and workmanship, under normal installation and operating conditions, for ten years from date of shipment from the factory. See general terms and conditions.

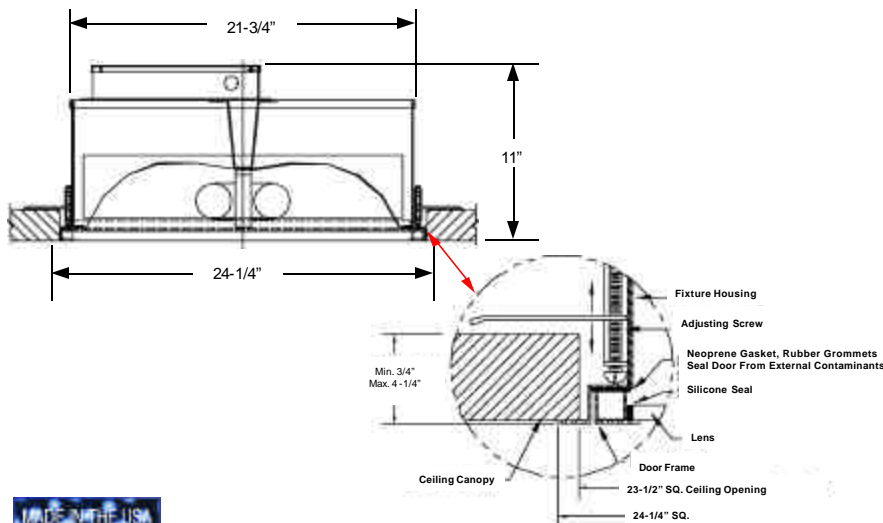
### Photometric Information

Contact factory or visit [www.escolighting.com](http://www.escolighting.com).

SPECIFICATIONS SUBJECT TO CHANGE WITHOUT NOTICE



## DIMENSIONS



**WBE City of Chicago Certified**

3254 North Kilbourn Avenue Chicago, Illinois 60641-4505  
 Phone: 773-427-7000 Fax: 800-217-1260 [www.escolighting.com](http://www.escolighting.com)  
**Established 1975**





## HOW TO ORDER



Prismatic Tempered  
Glass Lens

Catalog Number	Lamps	Color Temp	Initial Lumens	CRI
SP2936A35	100W	3500	8,600	80
SP2936A41	100W	4100	8,600	80
SP2936A50	100W	5000	8,300	80
SP2936B35	150W	3500	13,000	80
SP2936B41	150W	4100	13,000	80
SP2936B50	150W	5000	12,700	80
SP2936C35	200W	3500	15,900	80
SP2936C41	200W	4100	15,900	80
SP2936C50	200W	5000	15,600	80

**EXAMPLE ORDER:** SP2936D50= 200 Watt lamp, 5000K, prismatic tempered glass.

## OPTIONS AND ACCESSORIES



**Stainless Steel Trim Frame** Replace **SP** in catalog number with **SPS**  
**Example:** SP2936C50 becomes SPS2936C50



**Tamper Proof Screws** Suffix catalog number with **TP**  
**Example:** SP2936C50 becomes SP2936C50TP