



## SPECIFICATIONS

**Concrete Housing:** Bollard and cap are one piece precast concrete with white matrix and acid wash finish.

**Louver:** Cast aluminum louver mounted to one piece cast aluminum module, attaches to the top of bollard and under side of cap with 16 stainless steel tamper proof screws. Eliminates glare and safeguards optics. See finish note.

**Lighting Assembly:** Self contained module with cast borosilicate glass type V distribution. Aluminum reflector cap mechanically attached and sealed to top of refractor. Bottom portion of light fixture assembly supports glass refractor and ballast assembly. Mechanically sealed to module mounting plate.

**Ballast:** Philips QL induction system mounted in an aluminum box that is attached to lighting fixture bollard mounting plate. Has splice box at the end for a power supply connection. 120 or 277 volts, 50/60 Hz.

**Lamp:** Philips QL 85w or 55w electrodeless fluorescent lamp with average rated life of 100,000 hours. 2700k, 3000k or 4000k color temperature.

**Labels:** ETL, CETL listed, suitable for wet location. I.B.E.W. labeled.

**Fixture Warranty:** The mechanics are guaranteed to be free from defective material and workmanship, under normal installation and operating conditions, for five years from date of shipment from the factory. All induction system components are warranted by the original manufacturer of the induction lighting system components, and subject to that manufacturer's warranty.

**Maximum Ambient Temperature:** Maximum 82°F.

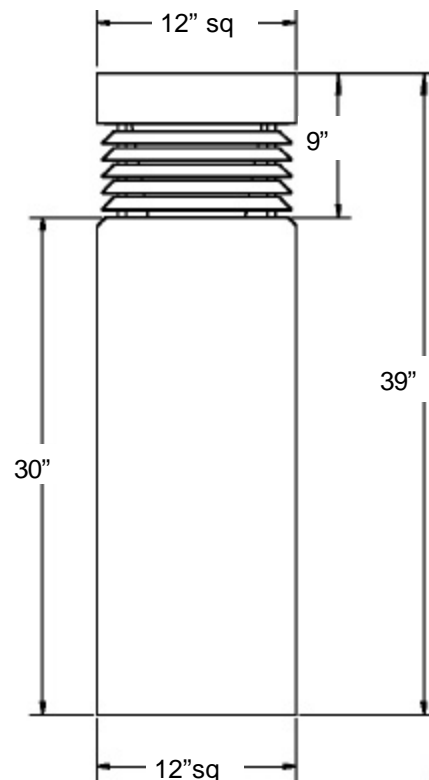
**Photometric Information:** Contact factory.

*SPECIFICATIONS SUBJECT TO CHANGE WITHOUT NOTICE*



NOTE: The "Greystone" with flat top style cap is 39" high. All other concrete bollards have peaked cap styles and are 40" high.

### "GREYSTONE" DIMENSIONS



3254 North Kilbourn Avenue Chicago, Illinois 60641-4505  
 Phone: 773-427-7000 Fax: 800-217-1260 [www.escolighting.com](http://www.escolighting.com)

**A Woman-Owned Business**  
**Established 1975**





**ORDERING INFORMATION**



Catalog Number	85 Watt Color Temperature	Catalog Number	55 Watt Color Temperature
SP2723TA	4000K	SP2723TD	4000K
SP2723TB	3000K	SP2723TE	3000K
SP2723TC	2700K	SP2723TF	2700K



Catalog Number	85 Watt Color Temperature	Catalog Number	55 Watt Color Temperature
SP2723FA	4000K	SP2723FD	4000K
SP2723FB	3000K	SP2723FE	3000K
SP2723FC	2700K	SP2723FF	2700K



Catalog Number	85 Watt Color Temperature	Catalog Number	55 Watt Color Temperature
SP2723MA	4000K	SP2723MD	4000K
SP2723MB	3000K	SP2723ME	3000K
SP2723MC	2700K	SP2723MF	2700K



Catalog Number	85 Watt Color Temperature	Catalog Number	55 Watt Color Temperature
SP2723GA	4000K	SP2723GD	4000K
SP2723GB	3000K	SP2723GE	3000K
SP2723GC	2700K	SP2723GF	2700K

NOTE: The "Greystone" with flat top style cap is 39" high.  
 All other concrete bollards have peaked cap styles and are 40" high.



3254 North Kilbourn Avenue Chicago, Illinois 60641-4505  
 Phone: 773-427-7000 Fax: 800-217-1260 [www.escolighting.com](http://www.escolighting.com)  
**A Woman-Owned Business**  
**Established 1975**

