

SPECIFICATIONS

Concrete Housing: Bollard and cap are one piece precast concrete with white matrix and acid wash finish.

Louver: Cast aluminum louver mounted to one piece cast aluminum module, attaches to the top of bollard and under side of cap with 16 stainless steel tamper proof screws. Eliminates glare and safeguards optics. See finish note.

Lighting Assembly: Self contained module with cast borosilicate glass type V distribution. Aluminum reflector cap mechanically attached and sealed to top of refractor. Bottom portion of light fixture assembly supports glass refractor and ballast assembly. Mechanically sealed to module mounting plate.

Ballast: Core and coil design, high power factor with capacitor.

Lamp: Clear, medium base, (by others). See table.

Lamp Holder: Porcelain socket, white glazed, 4 KV rated with nickel plated copper screw shell, spring loaded center contact, lamp grips, #18 SF-2 leads (200° C). Impregnated gasket.

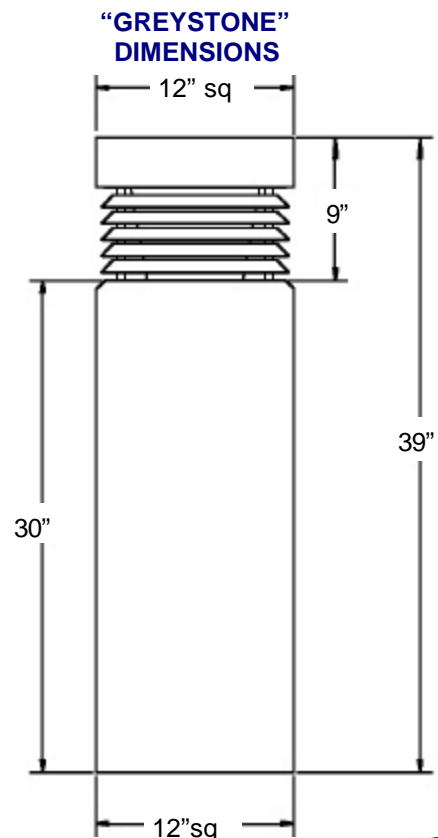
Labels: ETL, CETL listed suitable for wet location. I.B.E.W. labeled.

Fixture Warranty: The mechanics are guaranteed to be free from defective material and workmanship, under normal installation and operating conditions, for five years from date of shipment from the factory. Contact factory for lamp and ballast warranty.

SPECIFICATIONS SUBJECT TO CHANGE WITHOUT NOTICE



NOTE: The "Greystone" with flat top style cap is 39" high. All other concrete bollards have peaked cap styles and are 40" high.



3254 North Kilbourn Avenue Chicago, Illinois 60641-4505
Phone: 773-427-7000 Fax: 800-217-1260 www.escolighting.com

A Woman-Owned Business
Established 1975



ORDERING INFORMATION



Catalog Number	Metal Halide	Catalog Number	High Pressure Sodium
SP2723T22	50 watts	SP2723T12	50 watts
SP2723T23	70 watts	SP2723T13	70 watts
SP2723T24	100 watts	SP2723T14	100 watts



Catalog Number	Metal Halide	Catalog Number	High Pressure Sodium
SP2723F22	50 watts	SP2723F12	50 watts
SP2723F23	70 watts	SP2723F13	70 watts
SP2723F24	100 watts	SP2723F14	100 watts



Catalog Number	Metal Halide	Catalog Number	High Pressure Sodium
SP2723M22	50 watts	SP2723M12	50 watts
SP2723M23	70 watts	SP2723M13	70 watts
SP2723M24	100 watts	SP2723M14	100 watts



Catalog Number	Metal Halide	Catalog Number	High Pressure Sodium
SP2723G22	50 watts	SP2723G12	50 watts
SP2723G23	70 watts	SP2723G13	70 watts
SP2723G24	100 watts	SP2723G14	100 watts

NOTE: The "Greystone" with flat top style cap is 39" high.
 All other concrete bollards have peaked cap styles and are 40" high.



3254 North Kilbourn Avenue Chicago, Illinois 60641-4505
 Phone: 773-427-7000 Fax: 800-217-1260 www.escolighting.com
A Woman-Owned Business
Established 1975

