



SPECIFICATIONS

Concrete Housing: Bollard and cap are one piece precast concrete with white matrix and acid wash finish.

Cage: One-piece stainless steel welded module, attaches to the top of bollard and under side of cap with 16 stainless steel tamper proof screws. See finish note.

Lighting Assembly: Self contained module with cast borosilicate glass type V distribution. Aluminum reflector cap mechanically attached and sealed to top of refractor. Bottom portion of light fixture assembly supports glass refractor and ballast assembly. Mechanically sealed to module mounting plate.

Ballast: Philips QL induction system mounted in an aluminum box that is attached to lighting fixture bollard mounting plate. Has splice box at the end for a power supply connection. 120 or 277 volts, 50/60 Hz.

Lamp: Philips QL 85w or 55w electrodeless fluorescent lamp with average rated life of 100,000 hours. 2700k, 3000k or 4000k color temperature.

Labels: ETL, CETL listed, suitable for wet location. I.B.E.W. labeled.

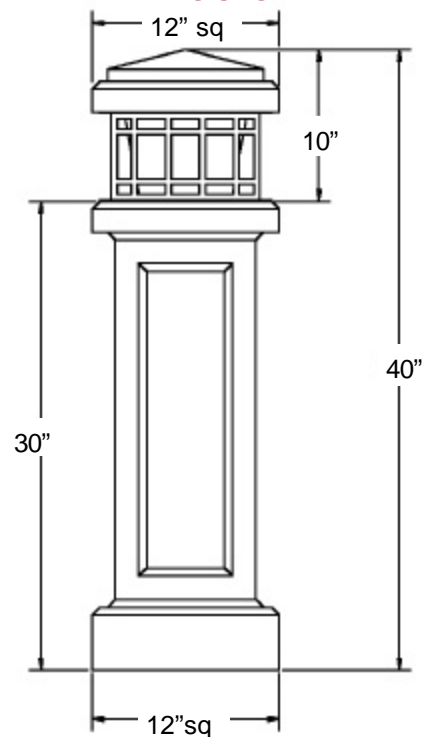
Fixture Warranty: The mechanics are guaranteed to be free from defective material and workmanship, under normal installation and operating conditions, for five years from date of shipment from the factory. All induction system components are warranted by the original manufacturer of the induction lighting system components, and subject to that manufacturer's warranty.

Photometric Information: Contact factory.

SPECIFICATIONS SUBJECT TO CHANGE WITHOUT NOTICE



**"TRADITIONAL"
 DIMENSIONS**



3254 North Kilbourn Avenue Chicago, Illinois 60641-4505
 Phone: 773-427-7000 Fax: 800-217-1260 www.escolighting.com

A Woman-Owned Business
Established 1975





ORDERING INFORMATION



Catalog Number	85 Watt Color Temperature	Catalog Number	55 Watt Color Temperature
SP2721TA	4000K	SP2721TD	4000K
SP2721TB	3000K	SP2721TE	3000K
SP2721TC	2700K	SP2721TF	2700K



Catalog Number	85 Watt Color Temperature	Catalog Number	55 Watt Color Temperature
SP2721FA	4000K	SP2721FD	4000K
SP2721FB	3000K	SP2721FE	3000K
SP2721FC	2700K	SP2721FF	2700K



Catalog Number	85 Watt Color Temperature	Catalog Number	55 Watt Color Temperature
SP2721MA	4000K	SP2721MD	4000K
SP2721MB	3000K	SP2721ME	3000K
SP2721MC	2700K	SP2721MF	2700K



Catalog Number	85 Watt Color Temperature	Catalog Number	55 Watt Color Temperature
SP2721GA	4000K	SP2721GD	4000K
SP2721GB	3000K	SP2721GE	3000K
SP2721GC	2700K	SP2721GF	2700K

NOTE: The "Greystone" with flat top style cap is 39" high.
 All other concrete bollards have peaked cap styles and are 40" high.



3254 North Kilbourn Avenue Chicago, Illinois 60641-4505
 Phone: 773-427-7000 Fax: 800-217-1260 www.escolighting.com

A Woman-Owned Business
Established 1975

