

SPECIFICATIONS

Concrete Housing: Bollard and cap are one piece precast concrete with white matrix and acid wash finish.

Cage: One-piece stainless steel welded module, attaches to the top of bollard and under side of cap with 16 stainless steel tamper proof screws. See finish note.

Lighting Assembly: Self contained module with cast borosilicate glass type V distribution. Aluminum reflector cap mechanically attached and sealed to top of refractor. Bottom portion of light fixture assembly supports glass refractor and ballast assembly. Mechanically sealed to module mounting plate.

Ballast: Core and coil design, high power factor with capacitor.

Lamp: Clear, medium base, (by others). See table.

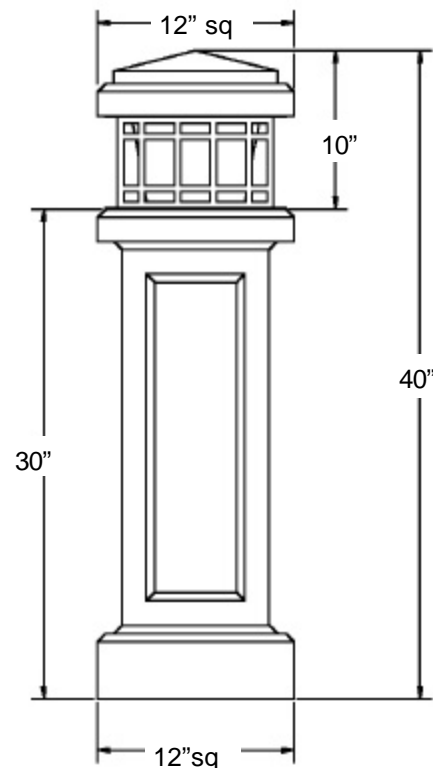
Lamp Holder: Porcelain socket, white glazed, 4 KV rated with nickel plated copper screw shell, spring loaded center contact, lamp grips, #18 SF-2 leads (200° C). Impregnated gasket.

Labels: ETL, CETL listed suitable for wet location. I.B.E.W. labeled.

Fixture Warranty: The mechanics are guaranteed to be free from defective material and workmanship, under normal installation and operating conditions, for five years from date of shipment from the factory. Contact factory for lamp and ballast warranty.



**“TRADITIONAL”
DIMENSIONS**



SPECIFICATIONS SUBJECT TO CHANGE WITHOUT NOTICE



3254 North Kilbourn Avenue Chicago, Illinois 60641-4505
Phone: 773-427-7000 Fax: 800-217-1260 www.escolighting.com

A Woman-Owned Business
Established 1975



ORDERING INFORMATION



| Catalog Number | Metal Halide | Catalog Number | High Pressure Sodium |
|----------------|--------------|----------------|----------------------|
| SP2721T22 | 50 watts | SP2721T12 | 50 watts |
| SP2721T23 | 70 watts | SP2721T13 | 70 watts |
| SP2721T24 | 100 watts | SP2721T14 | 100 watts |



| Catalog Number | Metal Halide | Catalog Number | High Pressure Sodium |
|----------------|--------------|----------------|----------------------|
| SP2721F22 | 50 watts | SP2721F12 | 50 watts |
| SP2721F23 | 70 watts | SP2721F13 | 70 watts |
| SP2721F24 | 100 watts | SP2721F14 | 100 watts |



| Catalog Number | Metal Halide | Catalog Number | High Pressure Sodium |
|----------------|--------------|----------------|----------------------|
| SP2721M22 | 50 watts | SP2721M12 | 50 watts |
| SP2721M23 | 70 watts | SP2721M13 | 70 watts |
| SP2721M24 | 100 watts | SP2721M14 | 100 watts |



| Catalog Number | Metal Halide | Catalog Number | High Pressure Sodium |
|----------------|--------------|----------------|----------------------|
| SP2721G22 | 50 watts | SP2721G12 | 50 watts |
| SP2721G23 | 70 watts | SP2721G13 | 70 watts |
| SP2721G24 | 100 watts | SP2721G14 | 100 watts |

NOTE: The "Greystone" with flat top style cap is 39" high.
 All other concrete bollards have peaked cap styles and are 40" high.



3254 North Kilbourn Avenue Chicago, Illinois 60641-4505
 Phone: 773-427-7000 Fax: 800-217-1260 www.escolighting.com
A Woman-Owned Business
Established 1975

