



## SPECIFICATIONS

**Mounting Frame:** 18 gauge (.048") galvanized steel. Thru way splice box, adjustable mounting brackets fits most ceiling systems; minimum 1/2", maximum, 2".

**Aluminum Housing:** Die formed 0.50" thick aluminum housing and cover encloses optical assembly and fan prevents contaminants.

**Reflector:** Spun aluminum .050" thick #3002, polished specular finish. Consult factory for other finishes.

**Reflector Top:** Perforated .040" aluminum socket box with internal 0.125" Aluminum coupler bracket. internally mounted AC axial fan with die-cast aluminum housing, and thermoplastic impeller for maximum heat dissipation.

**Optional Mini-groove Baffle:** One piece spun aluminum, mini-groove finished Matte Black.

**Ballast:** Induction high frequency electronic ballast. Operating in a range of 120-277 volts, 50 or 60 Hz.

**Lamp:** Induction electrodeless fluorescent lamp with average rated life of 100,000 hours. See chart.

**Fixture Warranty:** The mechanics are guaranteed to be free from defective material and workmanship, under normal installation and operating conditions, for five years from date of shipment from the factory. All induction system components are warranted by the original manufacturer of the induction lighting system components, and subject to that manufacturer's warranty.

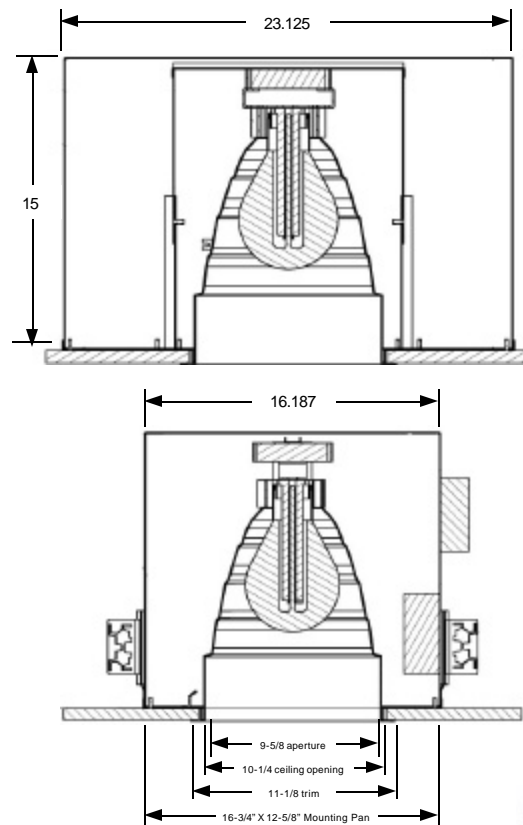
**Labels:** ETL, CETL listed, suitable for wet location under covered ceiling. I.B.E.W. labeled.

**Photometric Information:** Contact factory.

SPECIFICATIONS SUBJECT TO CHANGE WITHOUT NOTICE



## DIMENSIONS:



3254 North Kilbourn Avenue Chicago, Illinois 60641-4505  
 Phone: 773-427-7000 Fax: 800-217-1260 [www.escolighting.com](http://www.escolighting.com)

**A Woman-Owned Business**  
 Established 1975





## HOW TO ORDER

### Architectural Open Downlight



Catalog Number	Watts	Color Temp	Initial Lumens	CRI
RZF150735	55W	3500k	4125	80
RZF150741	55W	4100k	4125	80
RZF150750	55W	5000k	4125	80
RZF150835	85W	3500k	6375	80
RZF150841	85W	4100k	6375	80
RZF150850	85W	5000k	6375	80

### Voltage Suffix

- 1=120V
- 2=208V
- 3=240V
- 4=277V

### Mini-Groove Baffle Black\*



Catalog Number	Watts	Color Temp	Initial Lumens	CRI
RZF151735	55W	3500k	4125	80
RZF151741	55W	4100k	4125	80
RZF151750	55W	5000k	4125	80
RZF151835	85W	3500k	6375	80
RZF151841	85W	4100k	6375	80
RZF151850	85W	5000k	6375	80

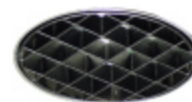
**EXAMPLE ORDER NUMBER: RZF151850-4=** Fulham High Horse induction 85 watt lamp, mini-groove black baffle, 5000k, 277 volt.

## ACCESSORIES



**Fuse and Fuse Holder**  
 Add suffix "F"  
 to order number.

**Louver Guard**  
 Suffix Catalog  
 Number With  
**LG3**



3254 North Kilbourn Avenue Chicago, Illinois 60641-4505  
 Phone: 773-427-7000 Fax: 800-217-1260 [www.escolighting.com](http://www.escolighting.com)

**A Woman-Owned Business**  
**Established 1975**

