

SPECIFICATIONS

Mounting Frame: 18 gauge (.048") galvanized steel die formed universal mounting frame fits most ceiling systems; minimum 1/2", maximum, 2" thick. Thru way splice box.

Reflector: Spun aluminum #3002, .050" thick specular finish. Consult factory for other finishes.

Ballast: Prewired C.W.A. or H.P.F., core and coil with dry film capacitor and starter if required.

Lamp: Phosphor coated, medium base (by others). See ordering information.

Lamp Holder: Porcelain socket, 4 KV rated with nickel plated copper screw shell, spring loaded center contact, lamp grips, SF-2 leads (200? C). Impregnated gasket.

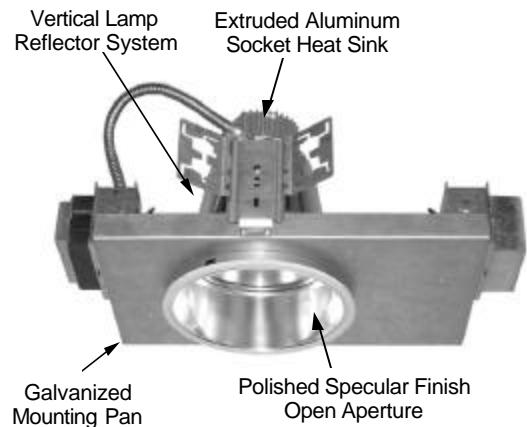
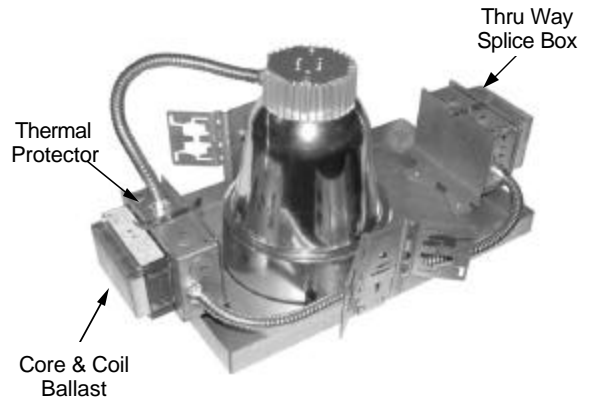
Thermal Device: Automatic resetting heat sensitive device for non-IC installations. Protects fixture from overheating if insulation covers fixture.

Labels: ETL, CETL listed, suitable for wet location under covered ceiling. I.B.E.W. labeled.

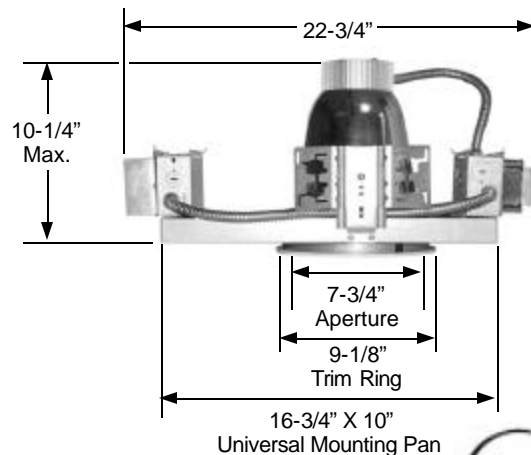
Fixture Warranty: The fixture mechanics are guaranteed to be free from defective material and workmanship, under normal installation and operating conditions, for five years from date of shipment from the factory. See General Terms and Conditions.

Photometric Information: Contact factory.

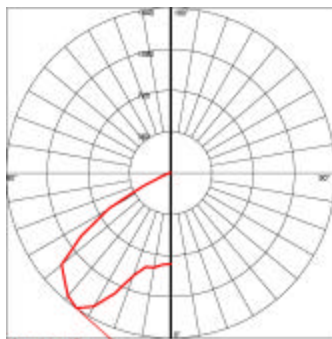
SPECIFICATIONS SUBJECT TO CHANGE WITHOUT NOTICE



DIMENSIONS



PHOTOMETRICS





WBE City of Chicago Certified

3254 North Kilbourn Avenue Chicago, Illinois 60641-4505
Phone: 773-427-7000 Fax: 800-217-1260 www.escolighting.com
Established 1975



HOW TO ORDER

ARCHITECTURAL OPEN DOWNLIGHT	Catalog Number	Watts	Light Source	ARCHITECTURAL OPEN DOWNLIGHT WITH MINI-GROOVE BAFFLE	Catalog Number	Watts	Light Source	Voltage Suffix Catalog Number
	RCC15014	100	HPS		RCC15114	100	HPS	1= 120V
	RCC15015	150	HPS		RCC15115	150	HPS	2= 208V
	RCC150228†	50	MH		RCC151228†	50	MH	3= 240V
	RCCO150228	50	MH Open Rated		RCCO151228	50	MH Open Rated	4= 277V
	RCC150238†	70	MH		RCCO151238†	70	MH Open Rated	5= 480V
	RCCO150238	70	MH Open Rated		RCC151238†	70	MH	8= Multi-tap wired for 277V.
	RCC15024†	100	MH		RCCO151238	70	MH Open Rated	0= 347V
	RCCO15024	100	MH Open Rated		RCC15124†	100	MH	
	RCC15024PAR	100	MH PAR38		RCCO15124	100	MH Open Rated	
	RCCO150258	150	MH Open Rated		RCC15124PAR	100	MH PAR38	
					RCCO151258	150	MH Open Rated	

† Includes clear tempered glass lens regressed in aperture.

OPTIONS AND ACCESSORIES

Aperture Accessories	
	Louver Guard Suffix catalog number with LG2 Example: RCC15024 becomes RCC15024LG2
	10° Slope Adaptor Suffix catalog number with SA110 Example: RCC15024 becomes RCC15024SA110
	20° Slope Adaptor Suffix catalog number with SA120 Example: RCC15024 becomes RCC15024SA120
	30° Slope Adaptor Suffix catalog number with SA130 Example: RCC15024 becomes RCC15024SA130
Other	
	Photo Control Suffix Catalog number with 120 Volt = PC4 208-277 Volt = PC5 Example: RCC15024 becomes RCC15024PC5
	Fuse and Fuse Holder Suffix Catalog Number With F Example: RCC15024 becomes RCC15024F
	Quartz Re-strike Systems Suffix Catalog Number With E1A Mini-can socket assembly for separate circuit entry with relay system for one lamp burning only. Example: RCC15024 becomes RCC15024E1A
	Quartz Re-strike Systems Suffix Catalog Number With E2 Emergency re-strike system, mini-can socket assembly (100—250 watt max. lamp). Example: RCC15024 becomes RCC15024E2
	Quartz Re-strike Systems Suffix Catalog Number With E65 Emergency re-strike system, mini-can socket assembly (100—250 watt max. lamp) with time delay relay. Example: RCC15024 becomes RCC15024E65



WBE City of Chicago Certified

3254 North Kilbourn Avenue Chicago, Illinois 60641-4505
Phone: 773-427-7000 Fax: 800-217-1260 www.escolighting.com
Established 1975

