

SPECIFICATIONS

Mounting Frame: 18 gauge (.048") galvanized steel die formed universal mounting frame fits most ceiling systems; minimum 1/2", maximum, 2" thick. Thru way splice box.

Reflector: Spun aluminum #3002, .050" thick specular finish. Consult factory for other finishes.

Ballast: Prewired C.W.A. or H.P.F., core and coil with dry film capacitor and starter if required.

Lamp: Phosphor coated, medium base (by others). See ordering information.

Lamp Holder: Porcelain socket, 4 KV rated with nickel plated copper screw shell, spring loaded center contact, lamp grips, SF-2 leads (200°C). Impregnated gasket.

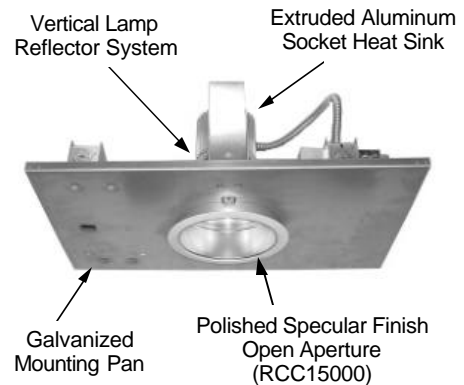
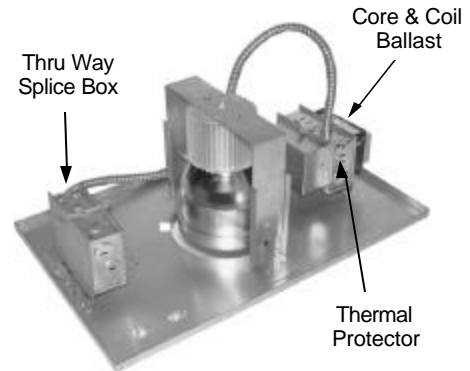
Thermal Device: Automatic resetting heat sensitive device for non-IC installations. Protects fixture from overheating if insulation covers fixture.

Labels: ETL, CETL listed, suitable for wet location under covered ceiling. I.B.E.W. labeled.

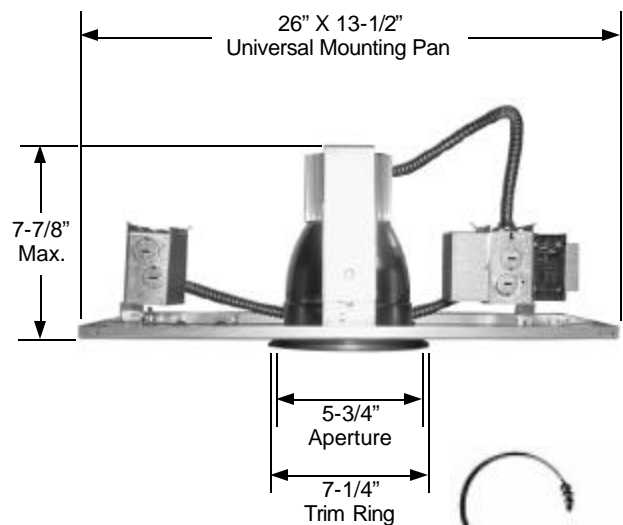
Fixture Warranty: The fixture mechanics are guaranteed to be free from defective material and workmanship, under normal installation and operating conditions, for five years from date of shipment from the factory. See General Terms and Conditions.

Photometric Information: Contact factory.

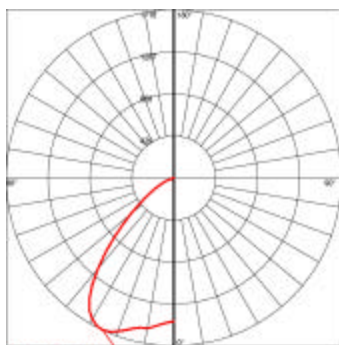
SPECIFICATIONS SUBJECT TO CHANGE WITHOUT NOTICE



DIMENSIONS



PHOTOMETRICS



WBE City of Chicago Certified

3254 North Kilbourn Avenue Chicago, Illinois 60641-4505
Phone: 773-427-7000 Fax: 800-217-1260 www.escolighting.com
Established 1975



HOW TO ORDER

ARCHITECTURAL OPEN DOWNLIGHT



Catalog Number	Watts	Light Source
RCC15012	50	HPS
RCC15013	70	HPS
RCCO15021	32	MH Open Rated
RCC15022*	50	MH
RCCO15022	50	MH Open Rated
RCC15023*	70	MH
RCCO15023	70	MH Open Rated

*Includes clear tempered glass lens regressed in aperture.

ARCHITECTURAL OPEN DOWNLIGHT WITH MINI-GROOVE BAFFLE



Catalog Number	Watts	Light Source
RCC15112	50	HPS
RCC15113	70	HPS
RCCO15121	32	MH Open Rated
RCC15122*	50	MH
RCCO15122	50	MH Open Rated
RCC15123*	70	MH
RCCO15123	70	MH Open Rated

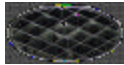
*Includes clear tempered glass lens regressed in aperture.

Voltage Suffix Catalog Number

- 1= 120V
- 2= 208V
- 3= 240V
- 4= 277V
- 5= 480V
- 8= Multi-tap wired for 277V.
- 0= 347V

OPTIONS AND ACCESSORIES

Aperture Accessories



Louver Guard

Suffix catalog number with **LG1**
Example: RCC15023 becomes RCC15023LG1



10° Slope Adaptor

Suffix catalog number with **SA410**
Example: RCC15023 becomes RCC15023SA410



20° Slope Adaptor

Suffix catalog number with **SA420**
Example: RCC15023 becomes RCC15023SA420



30° Slope Adaptor

Suffix catalog number with **SA430**
Example: RCC15023 becomes RCC15023SA430

Other



Photo Control

Suffix Catalog number with
120 Volt = **PC4**
208-277 Volt = **PC5**
Example: RCC15023 becomes RCC15023PC5



Fuse and Fuse Holder

Suffix Catalog Number With **F**
Example: RCC15023 becomes RCC15023F



Quartz Re-strike Systems

Mini-can socket assembly for separate circuit entry with relay system for one lamp burning only.

Suffix Catalog Number With **E1A**
Example: RCC15023 becomes RCC15023E1A



Quartz Re-strike Systems

Emergency re-strike system, mini-can socket assembly (100—250 watt max. lamp).

Suffix Catalog Number With **E2**
Example: RCC15023 becomes RCC15023E2



Quartz Re-strike Systems

Emergency re-strike system, mini-can socket assembly (100—250 watt max. lamp) with time delay relay.

Suffix Catalog Number With **E65**
Example: RCC15023 becomes RCC15023E65



WBE City of Chicago Certified

3254 North Kilbourn Avenue Chicago, Illinois 60641-4505
Phone: 773-427-7000 Fax: 800-217-1260 www.escolighting.com
Established 1975

