

SPECIFICATIONS

Mounting Frame: 18 gauge (.048") galvanized steel die formed universal mounting frame fits most ceiling systems; minimum 1/2", maximum, 2" thick. Thru way splice box.

Reflector: Spun aluminum #3002, .050" thick specular finish. Consult factory for other finishes.

Ballast: Prewired C.W.A. or H.P.F., core and coil with dry film capacitor and starter if required.

Lamp: Phosphor coated, medium base 100—150 watt mogul base 175 watt, (by others). See ordering information.

Lamp Holder: Porcelain socket, 4 KV rated with nickel plated copper screw shell, spring loaded center contact, lamp grips, SF-2 leads (200? C). Impregnated gasket.

Thermal Device: Automatic resetting heat sensitive device for non-IC installations. Protects fixture from overheating if insulation covers fixture.

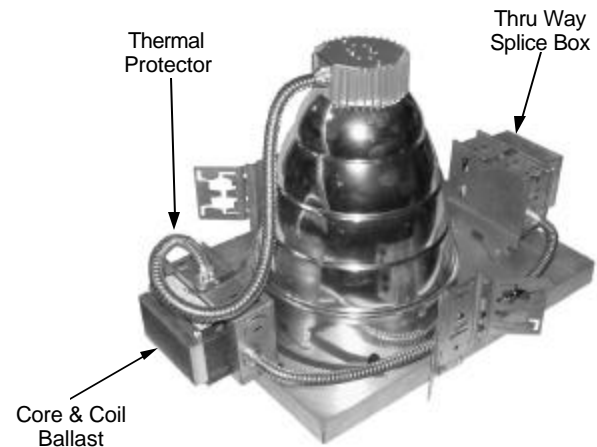
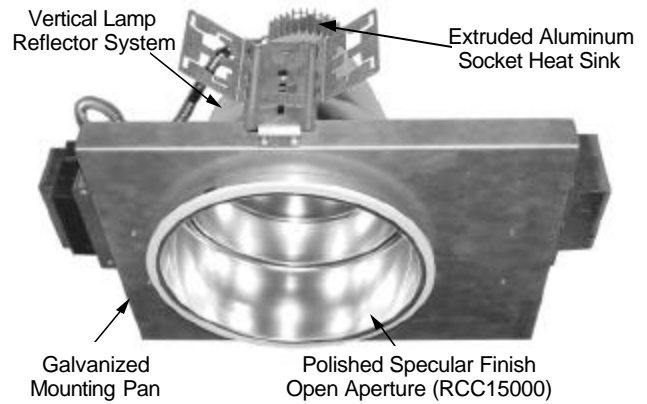
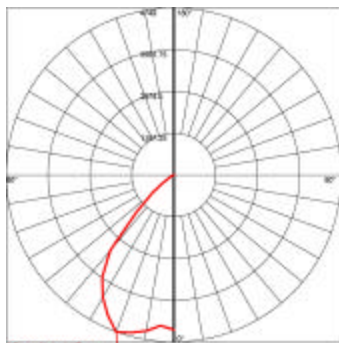
Labels: ETL, CETL listed, suitable for wet location under covered ceiling. I.B.E.W. labeled.

Fixture Warranty: The fixture mechanics are guaranteed to be free from defective material and workmanship, under normal installation and operating conditions, for five years from date of shipment from the factory. See General Terms and Conditions.

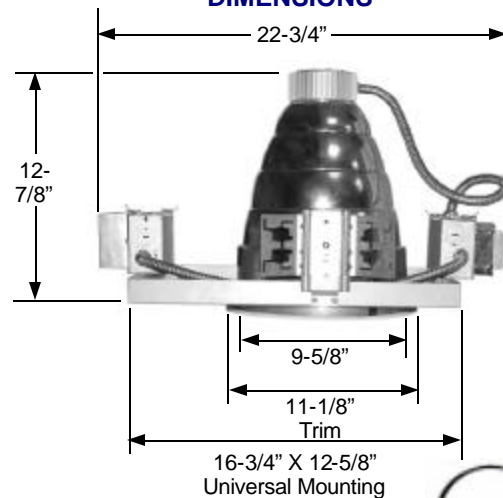
Photometric Information: Contact factory.

SPECIFICATIONS SUBJECT TO CHANGE WITHOUT NOTICE

PHOTOMETRICS



DIMENSIONS



WBE City of Chicago Certified

3254 North Kilbourn Avenue Chicago, Illinois 60641-4505
 Phone: 773-427-7000 Fax: 800-217-1260 www.escolighting.com
 Established 1975



HOW TO ORDER

ARCHITECTURAL OPEN DOWNLIGHT



Catalog Number	Watts	Light Source
RCC1501410	100	HPS
RCC1501510	150	HPS
RCC1502410†	100	MH
RCCO1502410	100	MH Open Rated
RCC15025†	150	MH
RCCO15025	150	MH Open Rated
RCC15025PAR	150	MH PAR38
RCC15026†	175	MH
RCC150217†	175	MH Pulse Start

† Includes clear tempered glass lens regressed in aperture.

ARCHITECTURAL OPEN DOWNLIGHT WITH MINI-GROOVE BAFFLE



Catalog Number	Watts	Light Source
RCC1511410	100	HPS
RCC1511510	150	HPS
RCC1512410†	100	MH
RCCO1512410	100	MH Open Rated
RCC15125†	150	MH
RCCO15125	150	MH Open Rated
RCC15125PAR	150	MH PAR38
RCC15126*†	175	MH
RCC151217†	175	MH Pulse Start

† Includes clear tempered glass lens regressed in aperture.

DOWNLIGHT WITH TEMPERED PRISMATIC GLASS LENS



Catalog Number	Watts	Light Source
RCC1521410	100	HPS
RCC1521510	150	HPS
RCC1522410	100	MH
RCC15225	150	MH
RCC15226	175	MH
RCC152217	175	MH Pulse Start

DOWNLIGHT WITH TEMPERED PRISMATIC GLASS LENS AND SPLAYED STEPPED BAFFLE



Catalog Number	Watts	Light Source
RCC1551410	100	HPS
RCC1551510	150	HPS
RCC1552410	100	MH
RCC15525	150	MH
RCC15526	175	MH
RCC155217	175	MH Pulse Start

DOWNLIGHT WITH TEMPERED PRISMATIC GLASS LENS AND SPLAYED WHITE BAFFLE



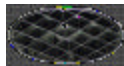
Catalog Number	Watts	Light Source
RCC1581410	100	HPS
RCC1581510	150	HPS
RCC1582410	100	MH
RCC15825	150	MH
RCC15826	175	MH
RCC158217	175	MH Pulse Start

Voltage Suffix Catalog Number

- 1= 120V
- 2= 208V
- 3= 240V
- 4= 277V
- 5= 480V
- 8= Multi-tap wired for 277V.
- 0= 347V

OPTIONS AND ACCESSORIES

Aperture Accessories



Louver Guard Suffix catalog number with **LG3**
Example: RCC15025 becomes RCC15025LG3



10° Slope Adaptor Suffix catalog number with **SA310**
Example: RCC15025 becomes RCC15025SA310



20° Slope Adaptor Suffix catalog number with **SA320**
Example: RCC15025 becomes RCC15025SA320



30° Slope Adaptor Suffix catalog number with **SA330**
Example: RCC15025 becomes RCC15025SA330

Other



Photo Control Suffix Catalog number with
 120 Volt = **PC4**
 208-277 Volt = **PC5**
Example: RCC15025 becomes RCC15025PC5



Fuse and Fuse Holder Suffix Catalog Number With **F**
Example: RCC15025 becomes RCC15025F



Quartz Re-strike Systems Suffix Catalog Number With **E1A**
 Mini-can socket assembly for separate circuit entry with relay system for one lamp burning only.
Example: RCC15025 becomes RCC15025E1A



Quartz Re-strike Systems Suffix Catalog Number With **E2**
 Emergency re-strike system, mini-can socket assembly (100—250 watt max. lamp).
Example: RCC15025 becomes RCC15025E2



Quartz Re-strike Systems Suffix Catalog Number With **E65**
 Emergency re-strike system, mini-can socket assembly (100—250 watt max. lamp) with time delay relay.
Example: RCC15025 becomes RCC15025E65



WBE City of Chicago Certified

3254 North Kilbourn Avenue Chicago, Illinois 60641-4505
 Phone: 773-427-7000 Fax: 800-217-1260 www.escolighting.com
 Established 1975

