

SPECIFICATIONS

Cylinder: .080" Aluminum, rolled and seam welded. See finish note.

Reflector

Spun aluminum #3002, polished to a mirror finish then electro-chemically processed to provide specular finish.

Reflector Top: Extruded aluminum, supports socket and reflector. Dissipates heat from lamp and socket.

Ballast: Compact fluorescent electronic high power factor class P, universal voltage 120 thru 277 volt; 50/60 Hz.

Lamp: Dual compact fluorescent PLT lamps max. 42W, 4 pin base (by others).

Lamp Holder: Dual horizontally mounted white thermo-plastic with snap-in lamp retainer springs. See table.

Mounting Pan: (Surface & Pendant Mount) Cast aluminum with 3/4" inner collar, finished to match cylinder housing.

Mounting Strap: (Surface Mount) Painted steel, mounts directly to outlet box. Supports pan with 1/4-20 studs and nuts.

Canopy Set: (Pendant Mount) 0-45° hang straight for 3/8" x 12" long steel pipe standard length with P2 accessory. Finished to match housing.**

Wall Bracket: (Wall Mount) One-piece cast aluminum bracket/arm assembly with access plate for wire inspection. Cast aluminum, wall mounting plate with 1/4" thick neoprene gasket. Quick disconnect wiring harness. Esco's **EZ5 Mounting System** allows the contractor to install the fixture in 5 minutes or less. See finish note.

Finish: Detergent cleaned with iron phosphate and chromic acid rust inhibitor. Chip resistant powder urethane polyester coating, electro-static applied and baked. Standard colors black, white and bronze. Custom colors are available. Consult factory or sales representative.

Labels: Surface and pendant mount suitable for damp location; wall mount suitable for wet location. ETL, CETL and I.B.E.W. labeled.

Fixture Warranty

The fixture mechanics are guaranteed to be free from defective material and workmanship, under normal installation and operating conditions, for ten years from date of shipment from the factory. See General Terms and Conditions.

Photometric Information: Contact factory.

**Canopy set for indoor applications only ; contact factory for other applications and designs.

SPECIFICATIONS SUBJECT TO CHANGE WITHOUT NOTICE



Pendant Mount

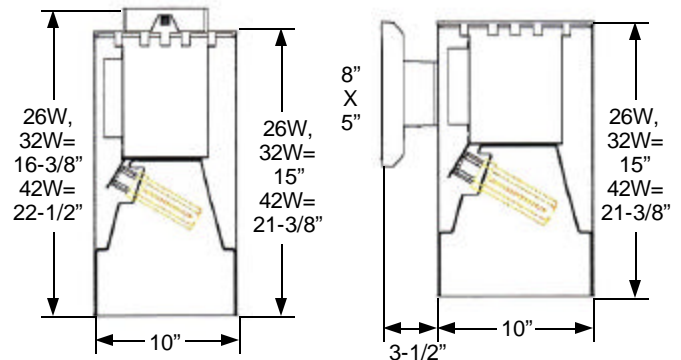


Wall Mount



Surface Mount

Dimensions:



WBE City of Chicago Certified

3254 North Kilbourn Avenue Chicago, Illinois 60641-4505
 Phone: 773-427-7000 Fax: 800-217-1260 www.escolighting.com
 Established 1975



ORDERING INFORMATION

Architectural open downlight.	Surface Mount	Watts	Lamp Base	Architectural open downlight with baffle.	Surface Mount	Watts	Lamp Base
	SH609T3	26W	GX24q-3		SH619T3	26W	GX24q-3
	SH609T4	32W	GX24q-3		SH619T4	32W	GX24q-3
	SH609T5	42W	GX24q-4		SH619T5	42W	GX24q-4
C#73 Tempered prismatic glass lens.	Surface Mount	Watts	Lamp Base	Flat fresnel glass lens.	Surface Mount	Watts	Lamp Base
	SH629T3	26W	GX24q-3		SH639T3	26W	GX24q-3
	SH629T4	32W	GX24q-3		SH639T4	32W	GX24q-3
	SH629T5	42W	GX24q-4		SH639T5	42W	GX24q-4
C#73 Prismatic tempered glass lens and splayed stepped baffle.	Surface Mount	Watts	Lamp Base	Fresnel glass lens and splayed stepped baffle.	Surface Mount	Watts	Lamp Base
	SH659T3	26W	GX24q-3		SH669T3	26W	GX24q-3
	SH659T4	32W	GX24q-3		SH669T4	32W	GX24q-3
	SH659T5	42W	GX24q-4		SH669T5	42W	GX24q-4
C#73 Prismatic tempered glass lens and splayed baffle.	Surface Mount	Watts	Lamp Base	Fresnel glass lens and splayed baffle.	Surface Mount	Watts	Lamp Base
	SH689T3	26W	GX24q-3		SH699T3	26W	GX24q-3
	SH689T4	32W	GX24q-3		SH699T4	32W	GX24q-3
	SH689T5	42W	GX24q-4		SH699T5	42W	GX24q-4

OPTIONS AND ACCESSORIES

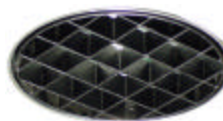
EZ5 Wall Mount.
Change Prefix **S** to **W**.



Pendant Mount Suffix
P2=12" long stem (standard)
P2X="X" is custom stem length
EXAMPLE: P224= 24" long stem.



Louver Guard
Suffix catalog number with **LG3**.



Color
Suffix Catalog Number With
W= White
BZ= Bronze
BL= Black

Photo Control
Suffix Catalog # With
PC4 =120 Volt
PC5 =277 Volt



Fuse and Fuse Holder
Suffix Catalog Number With **F**



Ballast Options

EM= Emergency Ballast
DM= Dimming Ballast



WBE City of Chicago Certified

3254 North Kilbourn Avenue Chicago, Illinois 60641-4505
Phone: 773-427-7000 Fax: 800-217-1260 www.escolighting.com
Established 1975

