



SPECIFICATIONS

Housing: Die formed .060" aluminum welded construction, sky white. See finish note.

Housing Door: Die formed .060" aluminum welded construction with rubber "U" shaped gasket. (4) Stainless steel catches securely lock door to housing and provide quick entry without tools.

Lens: High impact, heat resistant, prismatic polycarbonate for widespread light distribution. Silicone caulked to door.

Reflector: One piece die formed .060" aluminum, finished high gloss white (90% reflectance) polyester powder coating. See finish note.

Ballast: OSRAM SYLVANIA QUICTRONIC® high frequency electronic ballast. Operating in a range of 120 to 277 volts 50 or 60 Hz.

Lamp: SYLVANIA ICETRON® lamp from OSRAM SYLVANIA. Inductively coupled electrode less fluorescent lamp with average rated life 100,000 hours CRI=80 color temp 4100K (3500K and 5000K available).

Finish: Sky white, detergent cleaned with iron phosphate and chromic acid rust inhibitor. Chip resistant TGIC powder urethane polyester coating, electrostatic applied and baked. Custom colors are available. Consult factory or sales representative.

Fixture Warranty: The mechanics are guaranteed to be free from defective material and workmanship, under normal installation and operating conditions, for five years from date of shipment from the factory. See general terms and conditions.

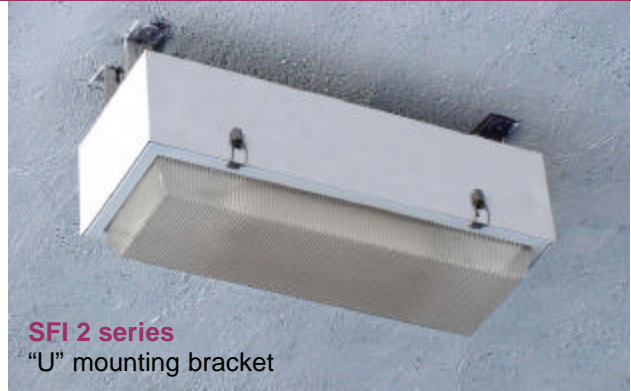
Maximum Ambient Temperature: Maximum 104°F.

Photometric Information: Contact factory.

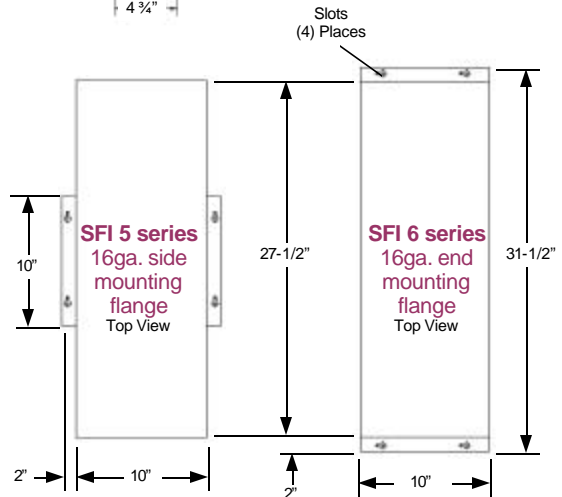
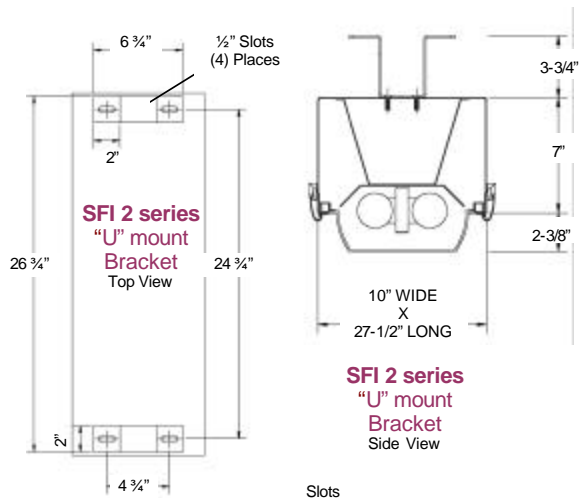
Labels: ETL listed suitable for wet location. I.B.E.W. labeled.

ICETRON is a trademark and product of OSRAM SYLVANIA Inc.
 QUICTRONIC is a registered trademark of OSRAM GmbH, used under license.
 SYLVANIA is a registered trademark of OSRAM SYLVANIA Inc.

SPECIFICATIONS SUBJECT TO CHANGE WITHOUT NOTICE



DIMENSIONS



WBE City of Chicago Certified

3254 North Kilbourn Avenue Chicago, Illinois 60641-4505
 Phone: 773-427-7000 Fax: 800-217-1260 www.escolighting.com
Established 1975





HOW TO ORDER

SFI 2 series				SFI 5 series				SFI 6 series			
"U" Type Mounting Bracket	Lamp	Ballast	Color Temp	16 ga. Side Mounting Flange	Lamp	Ballast	Color Temp	16 ga. End Mounting Flange	Lamp	Ballast	Color Temp
SFI22335	ICE/70W	ICE/100W	3500K	SFI52335	ICE/70W	ICE/100W	3500K	SFI62335	ICE/70W	ICE/100W	3500K
SFI22341	ICE/70W	ICE/100W	4100K	SFI52341	ICE/70W	ICE/100W	4100K	SFI62341	ICE/70W	ICE/100W	4100K
SFI22350	ICE/70W	ICE/100W	5000K	SFI52350	ICE/70W	ICE/100W	5000K	SFI62350	ICE/70W	ICE/100W	5000K
SFI22435	ICE/100W	ICE/100W	3500K	SFI52435	ICE/100W	ICE/100W	3500K	SFI62435	ICE/100W	ICE/100W	3500K
SFI22441	ICE/100W	ICE/100W	4100K	SFI52441	ICE/100W	ICE/100W	4100K	SFI62441	ICE/100W	ICE/100W	4100K
SFI22450	ICE/100W	ICE/100W	5000K	SFI52450	ICE/100W	ICE/100W	5000K	SFI62450	ICE/100W	ICE/100W	5000K
SFI22535	ICE/100W	ICE/150W	3500K	SFI52535	ICE/100W	ICE/150W	3500K	SFI62535	ICE/100W	ICE/150W	3500K
SFI22541	ICE/100W	ICE/150W	4100K	SFI52541	ICE/100W	ICE/150W	4100K	SFI62541	ICE/100W	ICE/150W	4100K
SFI22550	ICE/100W	ICE/150W	5000K	SFI52550	ICE/100W	ICE/150W	5000K	SFI62550	ICE/100W	ICE/150W	5000K
SFI22635	ICE/150W	ICE/150W	3500K	SFI52635	ICE/150W	ICE/150W	3500K	SFI62635	ICE/150W	ICE/150W	3500K
SFI22641	ICE/150W	ICE/150W	4100K	SFI52641	ICE/150W	ICE/150W	4100K	SFI62641	ICE/150W	ICE/150W	4100K
SFI22650	ICE/150W	ICE/150W	5000K	SFI52650	ICE/150W	ICE/150W	5000K	SFI62650	ICE/150W	ICE/150W	5000K

Color Suffix: **BZ**=Textured Bronze, **BL**=Textured Black, **W**=Sky White, **Other** Consult Factory

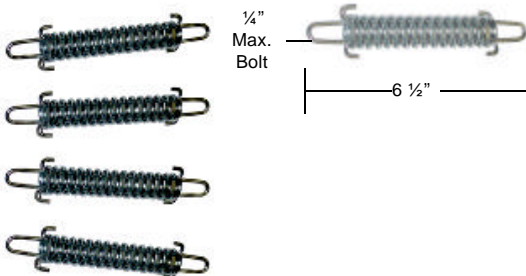
EXAMPLE ORDER NUMBER: **SFI22650W** = Franklin Street Fixture with "U" type mounting brackets, prismatic drop lens, 150W ICETRON® lamp and ballast, 5000k, sky white.

ACCESSORIES



Shock Absorbing Spring Mounting Bracket

Use in extreme vibration installations.
 Contact factory for more information.



Fuse and Fuse Holder

Add suffix "F" to order number.



WBE City of Chicago Certified

3254 North Kilbourn Avenue Chicago, Illinois 60641-4505
 Phone: 773-427-7000 Fax: 800-217-1260 www.escolighting.com
Established 1975

