

SPECIFICATIONS

Housing: Precision die cast aluminum with internal rib design to prevent wall distortion or stress sagging; built-in hinge. Internally mounted AC axial fan with die-cast aluminum housing, and thermoplastic impeller. Two 1" louvered aluminum vent plugs for maximum heat dissipation. EPA rating of 1.02. See finish note.

Door Assembly: Precision die cast aluminum door frame overlaps the housing edge and has an integral grooved one-piece silicone gasket system that seals the door to the housing. Precision cut clear tempered lens fit inside a raised lip to prevent shifting, is silicone caulked to doorframe and held down with 4 "Z" clips and stainless steel screws. See finish note.

Reflector: Computer generated one-piece specular aluminum 82% reflective.

Ballast: OSRAM SYLVANIA QUICKTRONIC® high frequency 150W, 120-277 volt, electronic ballast and a "GE PRO LINE" 480 volt step down auto-transformer.

Lamp: SYLVANIA ICETRON® 100 watt, 5000k lamp from OSRAM SYLVANIA. Inductively coupled electrodeless fluorescent lamp with average rated life of 100,000 hours.

Adjustable Slip Fitter: Die cast aluminum with locking rotor plate, rotates 180°. Steel pipe insert for 1.9" diameter steel conduit, locks in place with 8-5/16" cup point stainless steel screws. Internal "O" ring gaskets. External gasket, between housing and slip fitter, seals slip fitter to housing.

Finish: Gray—RAL 7040, detergent cleaned with iron phosphate and chromic acid rust inhibitor, resistant chip resistant powder urethane polyester coating.

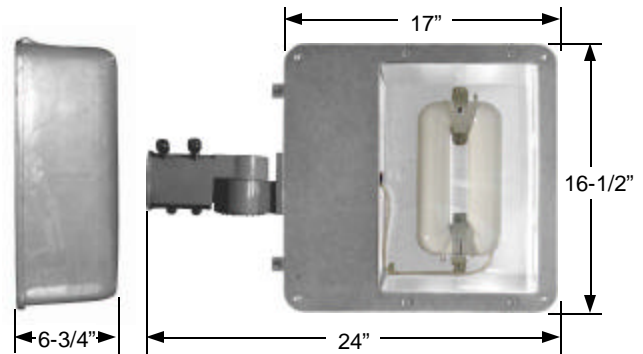
Labels: ETL, CETL listed. I.B.E.W. labeled. Suitable for wet locations.

Fixture Warranty: The fixture mechanics are guaranteed to be free from defective material and workmanship, under normal installation and operating conditions, for five years from date of shipment from the factory. See General Terms and Conditions.

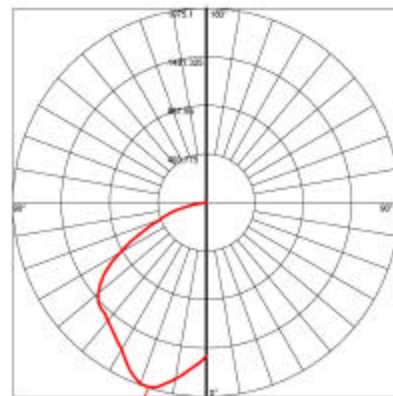
Photometric Information: Contact factory.



DIMENSIONS



PHOTOMETRICS



SPECIFICATIONS SUBJECT TO CHANGE WITHOUT NOTICE



3254 North Kilbourn Avenue Chicago, Illinois 60641-4505
 Phone: 773-427-7000 Fax: 800-217-1260 www.escolighting.com

A Woman-Owned Business

Established 1975



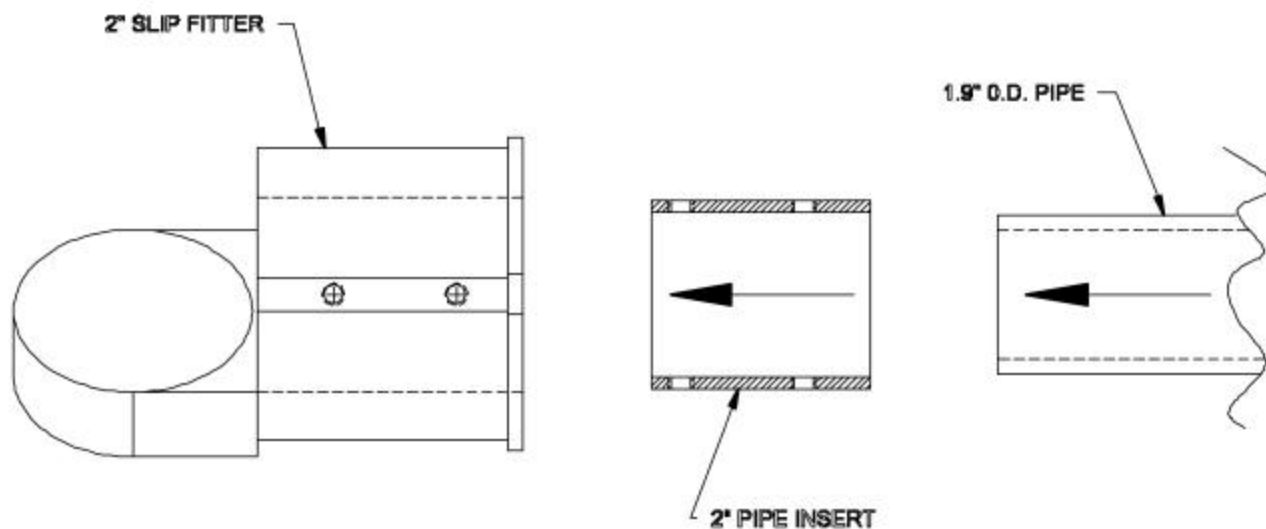
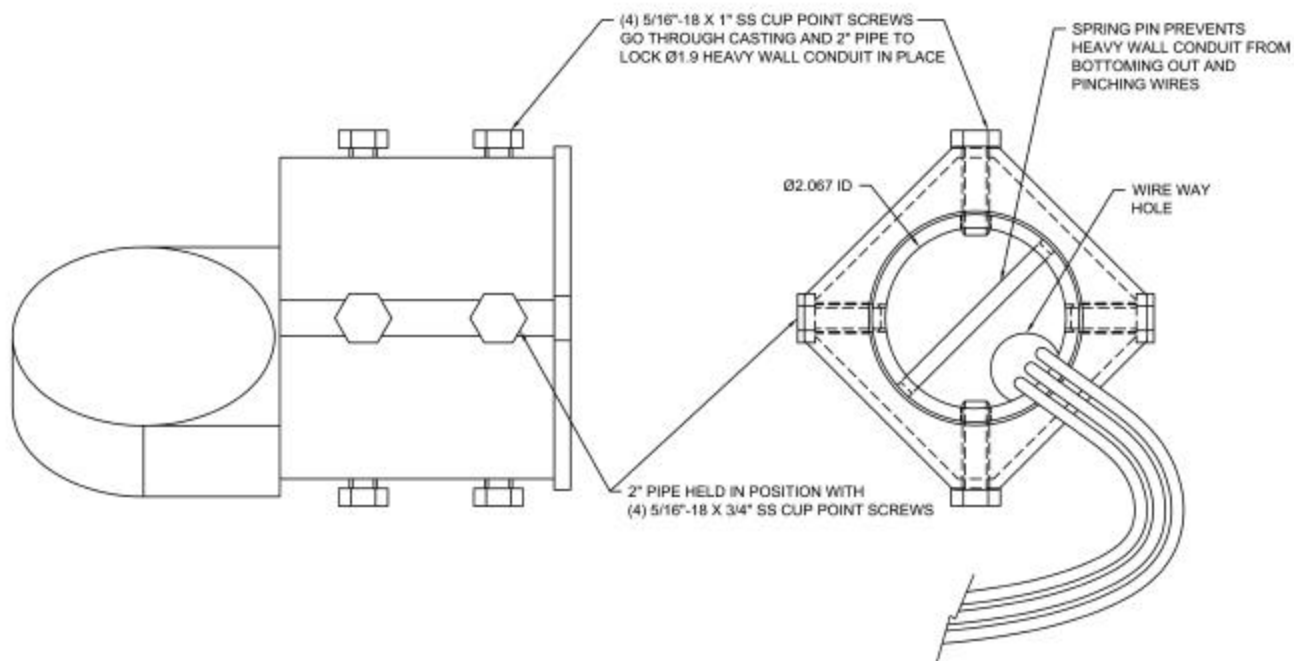
esco

LIGHTING, INC.

FLiR550SGF1.5

Outdoor Area or Billboard / Overhead Sign Light
 SYLVANIA ICETRON® 100W Lamp
 OSRAM SYLVANIA QUICKTRONIC® 150W Ballast
 SAB2 Slip fitter with Steel Sleeve for 1.9" Steel Conduit

STEEL PIPE INSERT FOR 1.9" DIAMETER STEEL CONDUIT



3254 North Kilbourn Avenue Chicago, Illinois 60641-4505
 Phone: 773-427-7000 Fax: 800-217-1260 www.escolighting.com

A Woman-Owned Business
 Established 1975

