

SPECIFICATIONS

Housing: Aluminum .090" thick, 8" diameter, fastened to a cast aluminum base with three counter-sunk stainless steel screws. See finish note.

Housing Top: Spun aluminum .090" thick, 8" diameter dome with a radius edge. Finished same as housing.

Base: Cast aluminum, provided with three anchor bolts (3/8"-16 X 8 1/2" long) for securing to a poured concrete foundation. Finished same as housing. See finish note.

Lens: Injection molded, 8" diameter, 1/4" thick white or clear polycarbonate, sealed and bonded to the housing and housing top to form a clean one-piece assembly.

Ballast: Core and coil design, high power factor with capacitor.

Lamp: Clear, medium base, (by others). See table.

Lamp Holder: Porcelain socket, white glazed, 4 KV rated with nickel plated copper screw shell, spring loaded center contact, lamp grips, #18 SF-2 leads (200° C). Impregnated gasket.

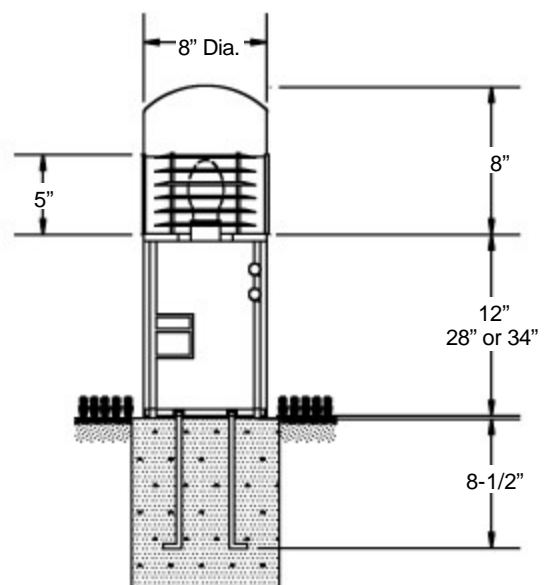
Finish: Detergent cleaned, acid etched and alodine dipped. Chip resistant powder urethane polyester coating, electrostatic applied and baked. Standard colors are white or bronze. Custom colors are available. Contact factory.

Photometric Information: Contact factory.

Labels: I.B.E.W., ETL, CETL listed. Suitable for wet location.



DIMENSIONS



SPECIFICATIONS SUBJECT TO CHANGE WITHOUT NOTICE



3254 North Kilbourn Avenue Chicago, Illinois 60641-4505
 Phone: 773-427-7000 Fax: 800-217-1260 www.escolighting.com

A Woman-Owned Business
 Established 1975



ORDERING INFORMATION

Clear polycarbonate lens with glass refractor.



Catalog Number	Watts	Light Source	Height
B4C12	50	HPS	20"
B4C13	70	HPS	20"
B4C14	100	HPS	20"
B4C22	50	MH	20"
B4C23	70	MH	20"
B4C24	100	MH	20"
B5C12	50	HPS	36"
B5C13	70	HPS	36"
B5C14	100	HPS	36"
B5C22	50	MH	36"
B5C23	70	MH	36"
B5C24	100	MH	36"
B6C12	50	HPS	42"
B6C13	70	HPS	42"
B6C14	100	HPS	42"
B6C22	50	MH	42"
B6C23	70	MH	42"
B6C24	100	MH	42"

White diffused polycarbonate lens.



Catalog Number	Watts	Light Source	Height
B4D12	50	HPS	20"
B4D13	70	HPS	20"
B4D14	100	HPS	20"
B4D22	50	MH	20"
B4D23	70	MH	20"
B4D24	100	MH	20"
B5D12	50	HPS	36"
B5D13	70	HPS	36"
B5D14	100	HPS	36"
B5D22	50	MH	36"
B5D23	70	MH	36"
B5D24	100	MH	36"
B6D12	50	HPS	42"
B6D13	70	HPS	42"
B6D14	100	HPS	42"
B6D22	50	MH	42"
B6D23	70	MH	42"
B6D24	100	MH	42"

Clear polycarbonate lens with internal louver.



Catalog Number	Watts	Light Source	Height
B4L12	50	HPS	20"
B4L13	70	HPS	20"
B4L14	100	HPS	20"
B4L22	50	MH	20"
B4L23	70	MH	20"
B4L24	100	MH	20"
B5L12	50	HPS	36"
B5L13	70	HPS	36"
B5L14	100	HPS	36"
B5L22	50	MH	36"
B5L23	70	MH	36"
B5L24	100	MH	36"
B6L12	50	HPS	42"
B6L13	70	HPS	42"
B6L14	100	HPS	42"
B6L22	50	MH	42"
B6L23	70	MH	42"
B6L24	100	MH	42"

Color Suffix

BZ=Textured Bronze

W=Sky White

Other Consult Factory

EXAMPLE ORDER NUMBER: B4L12W= 20" high, clear polycarbonate lens with internal louver, 50 watt high pressure sodium lamp, sky white.



3254 North Kilbourn Avenue Chicago, Illinois 60641-4505
 Phone: 773-427-7000 Fax: 800-217-1260 www.escolighting.com

A Woman-Owned Business
 Established 1975

