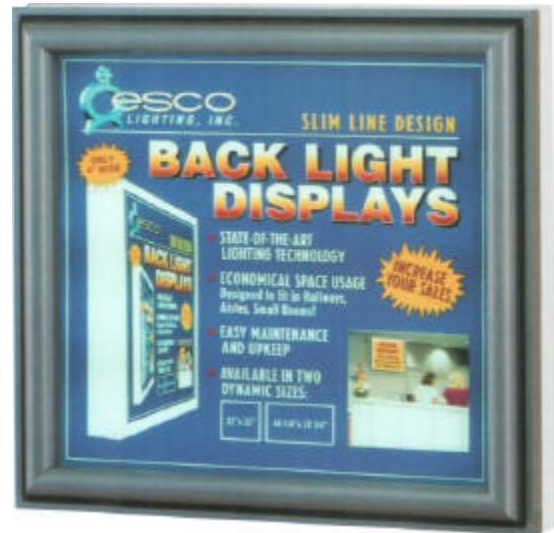




Back Light Displays

- Low Profile *only 4" deep.*
- 3 Different Mounting Systems (Pendant, Wall, Tabletop).
- No tools required for maintenance and quick signage changes.
- Energy efficient economical, state of the art electronic ballast.
- Mitered extruded aluminum frame.
- Horizontal or vertical mounting.
- Available in two dynamic sizes.



[CLICK HERE FOR DIMENSIONS AND SPECIFICATIONS](#)

3254 North Kilbourn Avenue Chicago, Illinois 60641
Phone 773-427-7000 Fax 800-217-1260 www.escolighting.com





General Specifications

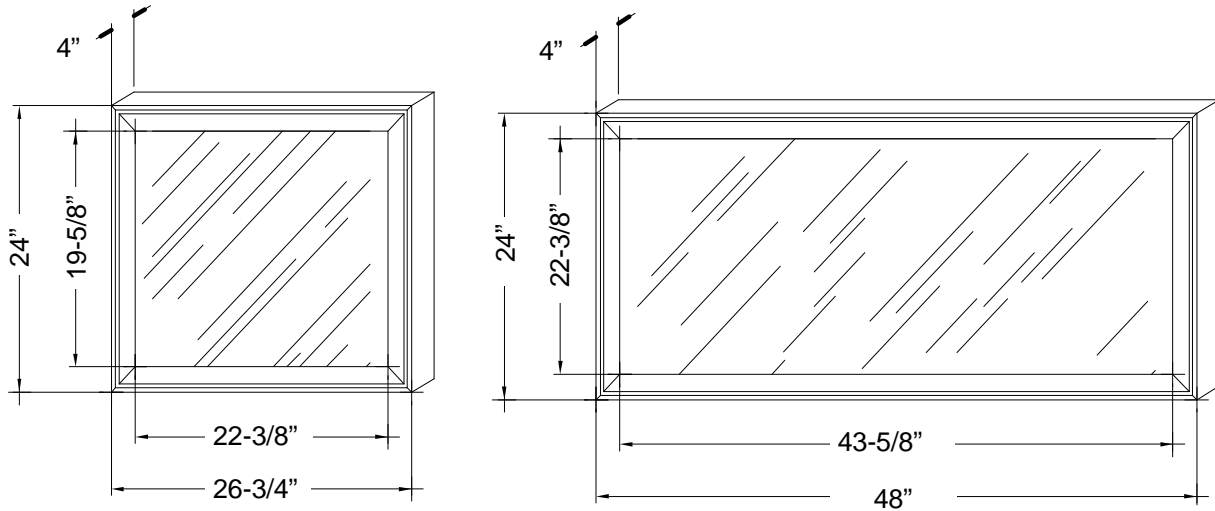
1. **HOUSING** - 20 gauge (.036") cold rolled steel, die formed and spot-welded to form one-piece construction. Standard finish gloss white. See finish note.
2. **FRAME** - Extruded aluminum, welded mitered corners. Mounted to housing with one-piece piano hinge, has spring loaded, knurled thumb grip latch mounted to frame. Supports lens and artwork. Requires no tools to open frame for artwork change and maintenance. Standard finish gloss white with black reveal. See finish note.
3. **LENS:** One-piece acrylic mounted to frame. Retains artwork that is removable without the use of tools.
4. **BALLAST:** Compact electronic with super lamp guard, an ESI circuit which guards the lamp when it is approaching end of life by shutting off the ballast.
5. **LAMPS:**
 2 x 2 - 4-F14T5 miniature bipin (by others)
 2 x 4 - 4-F28T5 miniature bipin (by others)
 Can be supplied by factory.
6. **LAMPHOLDER:** Polycarbonate rated @ 110 C, 660 watts, 600 volts with spring loaded positive rotor lamp lock.
7. **WINDOW OPENING:**
 2 x 2 - 19-5/8" x 22-3/8" maximum panel size 21-3/4" x 25" 2 x 4 - 22-3/8" x 43-5/8" maximum panel size 25" x 43-3/4"
8. **FINISH** - Detergent cleaned with iron phosphate and chromic acid rust inhibitor, chip resistant powder urethane polyester coating, electrostatic applied and baked.
9. **LABELS** - U/L, CU/L, C.E., I.B.E.W. labeled.
10. **MOUNTING:**
Wall: Standard housing supplied with keyholes on back for direct mounting to surface.
Pendant, Three options:
 C - Canopy set with 0-45 degree hang straight and 24" of stem.
 L* - Ceiling loop - two stainless steel supporting cables 24" long.
 CC* - Ceiling coupler - two stainless steel supporting cables 24" long.
 *Specify cord set location.

Catalog Number	Description
SFT22W SFT24W	2x2 table mount 2x4 table mount
SFW22W SFW24W	2x2 wall mount 2x4 wall mount
SFPC22W SFPC24W	2x2 pendant with canopy set 2x4 pendant with canopy set
SFPL22W SFPL24W	2x2 pendant with loop set 2x4 pendant with loop set
SFPC22W SFPC24W	2x2 pendant with ceiling coupler 2x4 pendant with ceiling coupler

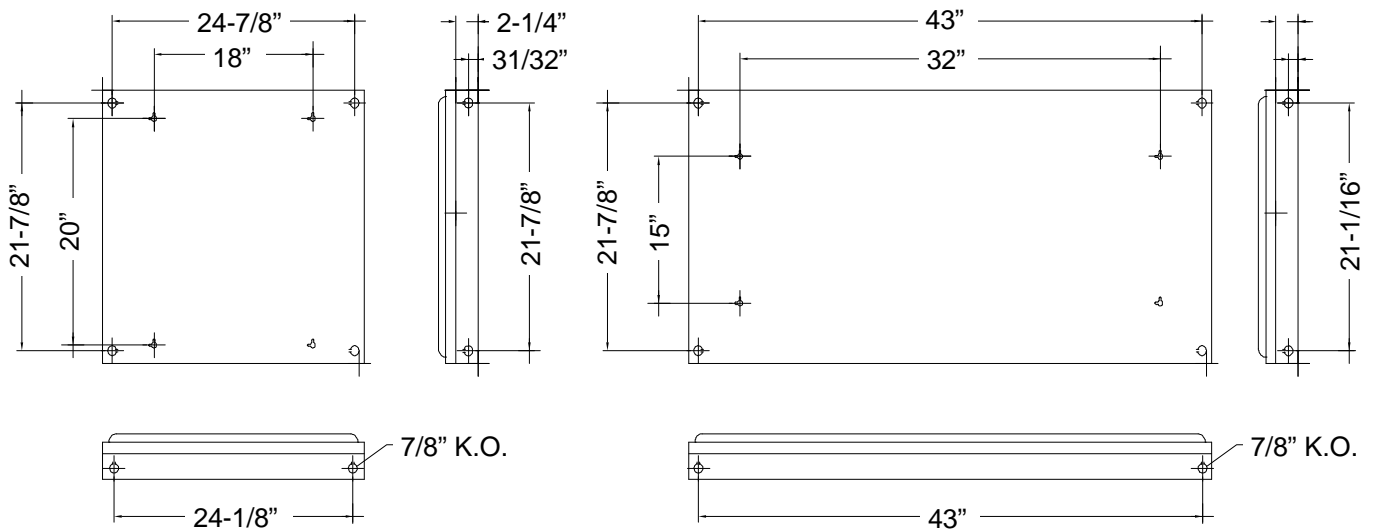


Housing and Frame Specifications

FRAME & HOUSING DIMENSIONS



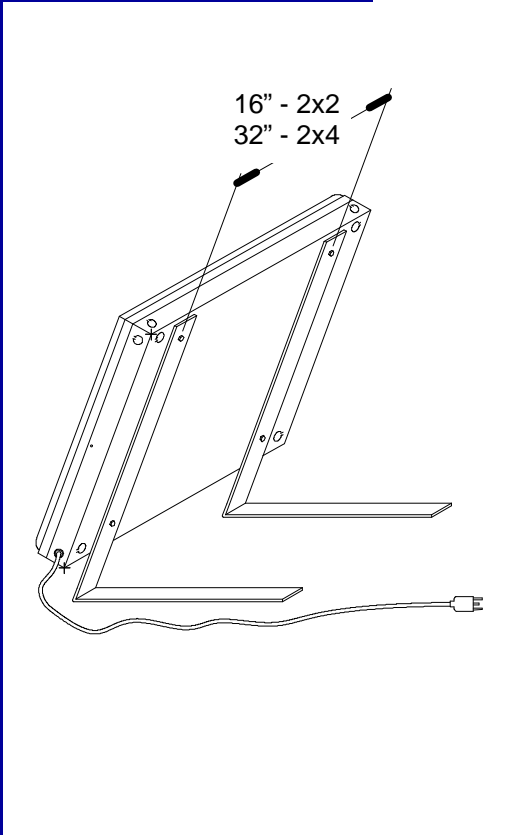
KNOCKOUT & KEYHOLE DIMENSIONS



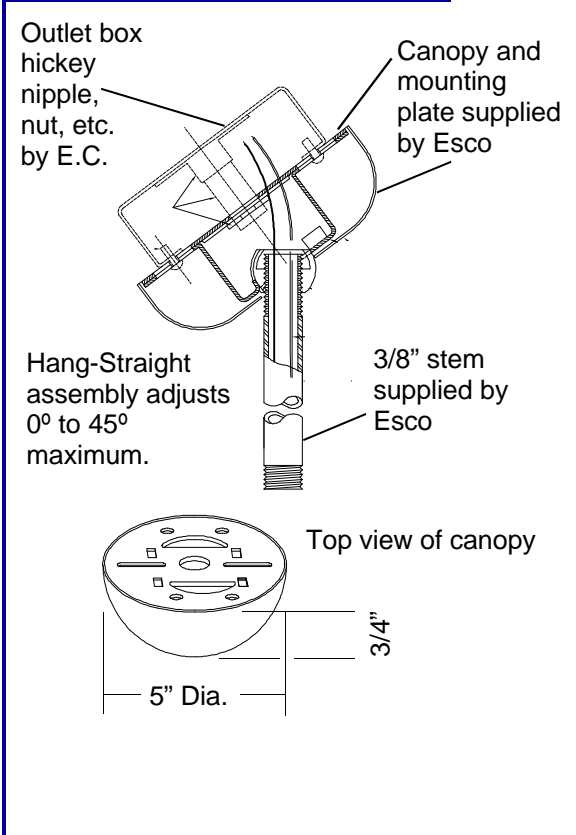


Mounting System Specifications

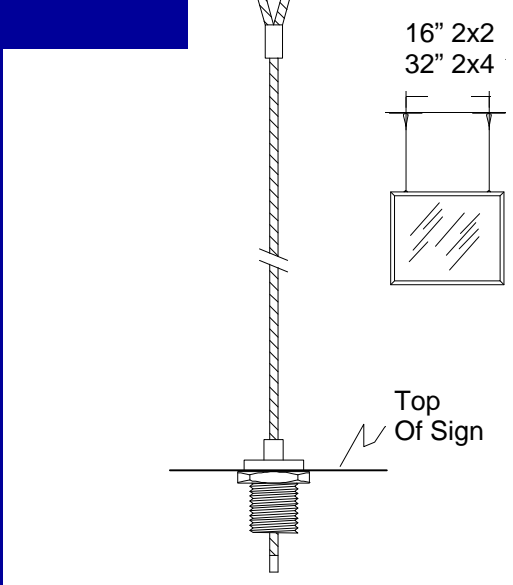
TABLE TOP DISPLAY



CANOPY MOUNTING SYSTEM



CEILING LOOP PENDANT



CEILING COUPLER PENDANT

