



SPECIFICATIONS

Cylinder

Extruded aluminum 6063-T5, .110" thick, seamless design. See finish note.

Trim Frame

Die cast aluminum, locks up to cylinder with (4) flat head machine screws. Finished to match cylinder. See finish note.

Lens

Acrylic drop lens Type V distribution pattern standard. Acrylic drop lens Type II distribution pattern available. Contact Factory.

LED

LED CoB chip, available in 3500k, 4000k and 5000k, 80 CRI, 37W. RoHS-compliant, UL-recognized component. See table.

Dimmable LED Driver

IP64 driver, Class 2, Outdoor Type 3, Input power 55 watts @ 120v, 54 watts @ 277v, output current to 1050 mA. No PCBs, Input/Output Isolation, FCC Title 47 CFR Part 15, Surge Protection (3 KV), Open/Short Circuit Protection. Class A sound rating. Dimming control 0-10v, dimming range 10 to 100%.

EZ5® Surface Mount

Cast Aluminum 5/32" thick EZ5® splice box mounts to standard 4" octagonal junction box. Safety clip supports cylinder for hands free splice connection. Three #10-32 screws set 120° apart for twist and lock-up of cylinder to splice box. Supplied with quick-connect wiring harness. EZ5® design allows the contractor to install the fixture in 5 minutes or less. Finished same as housing. See finish note.

Canopy Set

(Pendant Mount) 5" diameter steel canopy 0-45° hang straight for 3/8" x 12" long steel stem standard length with P2 accessory. Other lengths available. Finished to match housing.*

EZ5® Wall Bracket Assembly

(Wall Mount) One-piece cast aluminum bracket / arm assembly with access plate for wire inspection. Cast aluminum, wall mounting plate with 1/4" thick neoprene gasket. Quick disconnect wiring harness. Esco's EZ5® Mounting System allows the contractor to install the fixture in 5 minutes or less. Finished same as housing. See finish note.

Finish

Detergent cleaned with iron phosphate and chromic acid rust inhibitor. Chip resistant powder urethane polyester coating, electrostatic applied and baked. Standard colors are textured black, textured bronze and white. Custom colors are available. Consult factory or sales representative.

Photometric Information

Contact factory.

Fixture Warranty

The mechanics are guaranteed to be free from defective material and workmanship, under normal installation and operating conditions, for ten years from date of shipment from the factory. See general terms and conditions.

Energy Data

43.3°C (110°F) Max. Temperature, 120-277V/50/60Hz, Constant Current, -40°C Min. Temperature, 90°C Max. T case

Temperature.

Certification and Labels

Surface and wall mount suitable for wet location, pendant mount suitable for damp location. ETL, CETL and I.B.E.W. assembled and labeled.

*Canopy set for indoor applications only; contact factory for other applications and designs.

SPECIFICATIONS SUBJECT TO CHANGE WITHOUT NOTICE



SXCL401 Surface Mount



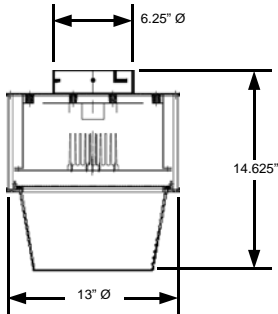
SXCL401 Pendant Mount



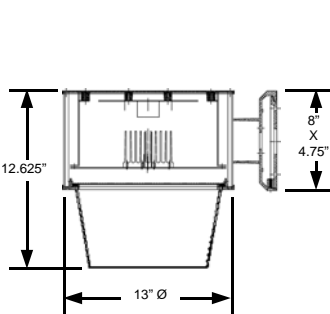
WXCL401 Wall Mount

DIMENSIONS

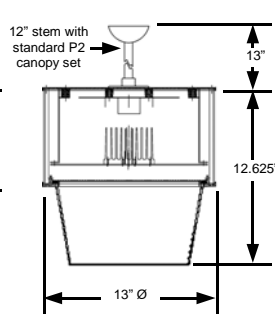
EZ5® Surface Mount Side View



EZ5® Wall Mount Side View



Pendant Mount Side View




WBE City of Chicago Certified

3254 North Kilbourn Avenue Chicago, Illinois 60641-4505
 Phone: 773-427-7000 Fax: 773-427-7007 www.escolighting.com
 Established 1975





HOW TO ORDER

	Catalog Number	Aperture	Total System Watts	Color Temp	CRI	Initial Lumens
SXCL401 Acrylic Drop Lens	SXCL4013	Acrylic Drop Lens	37W	3500K	80	5654
	SXCL4014	Acrylic Drop Lens	37W	4000K	80	5850
	SXCL4015	Acrylic Drop Lens	37W	5000K	80	5878

ACCESSORIES AND OPTIONS



Photo Control* Suffix Catalog number with
120 Volt = **PC4**
208-277 Volt = **PC5**
Example: SXCL4015 becomes : SXCL4015PC4



Fuse and Fuse Holder* Suffix Catalog Number With **F**
Example: SXCL4015 becomes SXCL4015F



Pendant Mount Suffix Catalog Number With
P2=12" long stem (standard)
P2X="X" is custom stem length
EXAMPLE: P224= 24" long stem.



Wall Mount Change **S** prefix in catalog number to **W**
Example: SXCL4015 becomes WXCL4015

*120 or 277 volt must be specified when ordering a Photo Control or Fuse and Fuse Holder.

Voltage Suffix 120v = -1, 277v = -4

Finish Color Options Textured Black=**BL**, Textured Bronze=**BZ**, White=**W**

EXAMPLE ORDER NUMBER: WXCL4015FBL-1 = Wall mount, acrylic lens, Type V distribution pattern, 37 watts, 5000k, fuse and fuse holder, textured black, 120volt.

EZ5® Surface Mount



Attach the cast aluminum splice box (A) to the junction box. Pull wiring through the center hole in the cast aluminum splice box. Attach one end of the Easy Connect Wiring Harness (B) to the wires from the junction box. Attach the safety harness (C) from the fixture to the cast aluminum splice box. Connect the Easy Connect wire connections (D). Tuck the wiring up into the cast aluminum splice box (A). Align the three mounting screw heads (E) of the cast aluminum splice box with the slots on the fixture sleeve (F). Push up and rotate the fixture to lock the fixture into the slots. Tighten the three mounting screws (E).

EZ5® Wall Mount



1. Attach cast aluminum mounting plate on recessed j-box. 2. Connect quick connector to power supply. 3. Connect quick connector from power source to fixture. 4. Hang wall pack on mounting plate. 5. Secure wall pack to mounting plate with locking screw.