



SPECIFICATIONS

Housing: Die cast aluminum housing and hinged door frame and shield with two captive lock-up screws. Die cast aluminum lens frame. See finish note.

Lens: Flat tempered clear glass lens.

Reflector: Two piece stippled aluminum, designed for maximum efficiency.

Ballast: Induction high frequency electronic ballast 120V, 220V, 277V or 347V, 50-60Hz. Contact factory for other voltages.

EZ5 Mounting System allows the contractor to install the fixture in 5 minutes or less (see illustration).

Lamp: Induction electrodeless fluorescent lamp with average rated life 100,000 hours.

Finish: Powder coat finish over a chromate conversion coating. Standard color is Architectural Bronze. Custom colors available. Contact factory.

Labels: ETL, CETL listed suitable for wet location. I.B.E.W. labeled.

Fixture Warranty: The mechanics are guaranteed to be free from defective material and workmanship, under normal installation and operating conditions, for five years from date of shipment from the factory. All induction system components are warranted by the original manufacturer of the induction lighting system components, and subject to that manufacturer's warranty.

Photometric Information: Contact factory.



Application: Ideal for parking areas, entrances, walkways, underpasses, loading docks and tunnels.

SPECIFICATIONS SUBJECT TO CHANGE WITHOUT NOTICE

EZ5 Surface Power Supply Installation: Factory installed 12 gauge steel wall mounting brackets with 4 keyhole slots, finished the same as the housing. Steel template for locating the mounting brackets. Factory installed junction splice box, tapped for either 1/2" or 3/4" (must specify) liquid-tight connector suitable for wet location.



STEP 1. Mark wall with supplied template.



STEP 2. Start fasteners in wall.



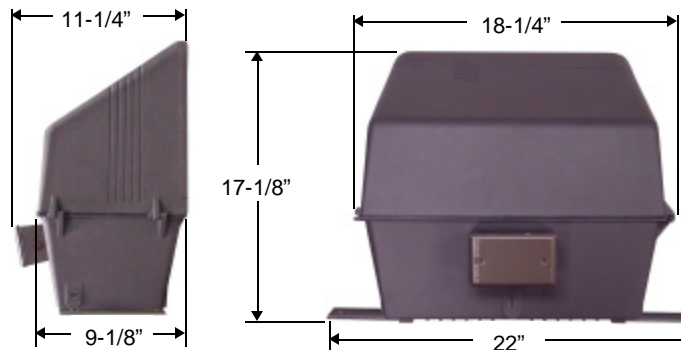
STEP 3. Hang wall pack using keyhole slots.



STEP 4. Secure to wall.



STEP 5. Connect wall pack to external j-box.



3254 North Kilbourn Avenue Chicago, Illinois 60641-4505
 Phone: 773-427-7000 Fax: 800-217-1260 www.escolighting.com

A Woman-Owned Business

Established 1975



esco

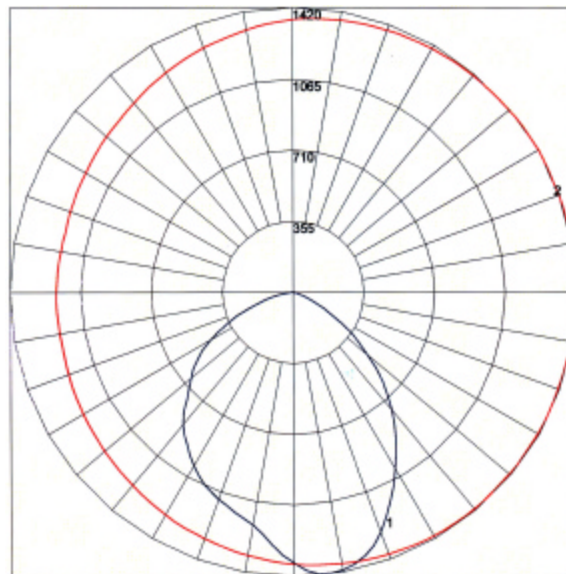
LIGHTING, INC.

SP2824S
Five Minute Installation Wall Pack
EZ5 Mounting System
For Surface Power Supply Installations
Induction Lamp
With Average Rated Life of 100,000 Hours



HOW TO ORDER

Catalog Number	Lamp	Lumens	Color Temp	System Watts
SP2824S	80 watt	6400	5000	86



OPTIONS & ACCESSORIES



Photo Control
 Suffix Cat.# With
 120 Volt = **PC1**
 208-277 Volt = **PC2**



Fuse and Fuse Holder
 Suffix Catalog Number With "F"



3254 North Kilbourn Avenue Chicago, Illinois 60641-4505
 Phone: 773-427-7000 Fax: 800-217-1260 www.escolighting.com

A Woman-Owned Business
Established 1975

