



SPECIFICATIONS

Housing: Die cast aluminum housing and hinged one-piece front frame and shield. 1/2" coin plugs with O-rings for conduit and photocell. Cast-in template for direct mounting to a 4" recessed outlet box. See finish note.

Lens: Flat tempered clear glass lens.

Reflector: Aluminum, designed for maximum efficiency.

Ballast: Induction high frequency electronic ballast 120V, 220V, 277V or 347V, 50-60Hz. Contact factory for other voltages.

Lamp: 80 watt Induction electrodeless fluorescent lamp. CRI>80.

Finish: Powder coat finish over a chromate conversion coating. Standard color is Architectural Bronze. Custom colors available. Contact factory.

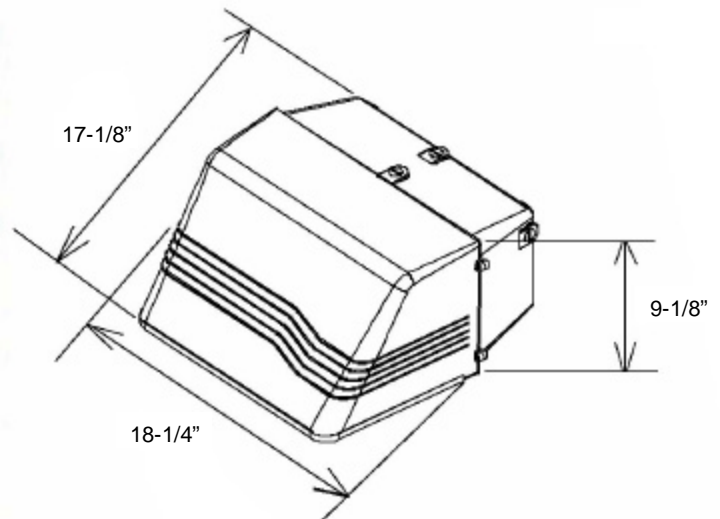
Labels: ETL, CETL listed suitable for wet location. I.B.E.W. labeled.

Fixture Warranty: The fixture mechanics and electrical components are guaranteed to be free from defective material and workmanship, under normal installation and operating conditions, for five years from date of shipment from the factory. See General Terms and Conditions.

Photometric Information: Contact factory.



Dimensions



Options and Accessories

Fuse and Fuse Holder
 Add suffix F.



Photo Control
 Add suffix "PC"
 to order number.



How To Order

| Catalog Number | Lamp | Lumens | Color Temp | System Watts |
|----------------|---------|--------|------------|--------------|
| SP2824 | 80 watt | 6400 | 5000 | 86 |

3254 North Kilbourn Avenue Chicago, Illinois 60641-4505
 Phone: 773-427-7000 Fax: 800-217-1260 www.escolighting.com

A Woman-Owned Business
 Established 1975

