



SPECIFICATIONS

Universal Mounting Frame: 18 gauge (.048") galvanized steel die formed universal mounting frame. Feed thru junction box maximum of 8 number 12 AWG branch circuit conductors suitable for at least 60°C permitted in box. Adjustable mounting brackets fit most ceiling systems, minimum 1/2", maximum 2".

Reflector: Spun aluminum .050" thick, #3002, polished to a specular finish.

Reflector Top: Extruded Aluminum, supports socket and reflector. Dissipates heat from amp and socket.

Cooling Fan: Internally mounted AC axial 115v 50-60Hz impedance protected cooling fan. Dissipates heat from extruded aluminum reflector top.

Ballast: Philips QL induction high frequency electronic ballast. Operating in a range of 100 - 120 volts or 200 - 277 volts, 50 or 60 Hz.

Lamp: Philips QL induction electrodeless fluorescent lamp with average rated life 100,000 hours. See ordering information.

Fixture Warranty: The mechanics are guaranteed to be free from defective material and workmanship, under normal installation and operating conditions, for five years from date of shipment from the factory. All induction system components are warranted by the original manufacturer of the induction lighting system components, and subject to that manufacturer's warranty.

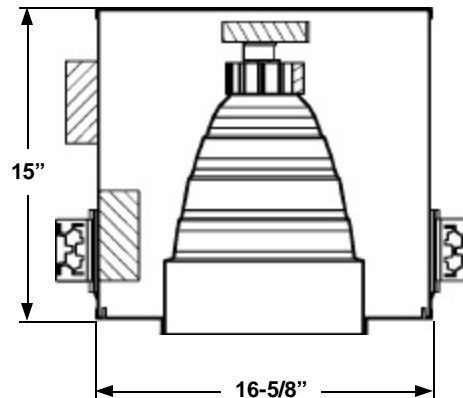
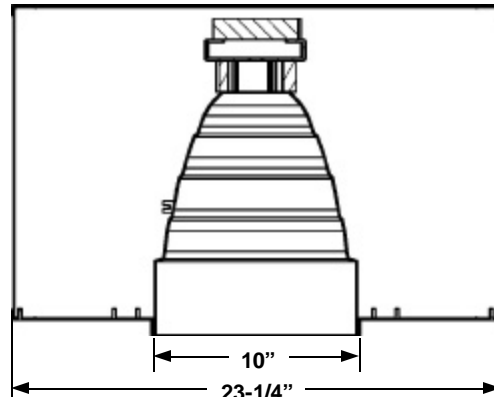
Labels: ETL / CETL listed, suitable for damp location & I.B.E.W. labeled.

Photometric Information: Contact factory.

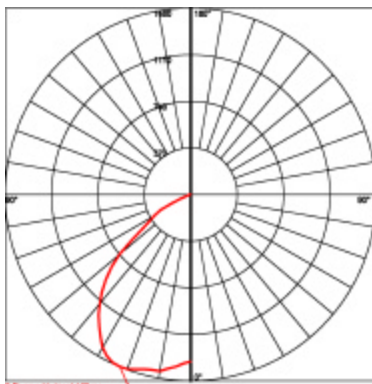
SPECIFICATIONS SUBJECT TO CHANGE WITHOUT NOTICE



DIMENSIONS



PHOTOMETRICS



3254 North Kilbourn Avenue Chicago, Illinois 60641-4505
 Phone: 773-427-7000 Fax: 800-217-1260 www.escolighting.com




A Woman-Owned Business

Established 1975





HOW TO ORDER

Architectural Open Downlight	Catalog Number	Lamps	Color Temp	C73 Tempered Prismatic Glass Lens	Catalog Number	Lamps	Color Temp
	SP28220730	55w	3000k		SP28222730	55w	3000k
	SP28220740	55w	4000K		SP28222740	55w	4000K
	SP28220750	55w	5000K		SP28222750	55w	5000K
	SP28220830	85w	3000k		SP28222830	85w	3000k
	SP28220840	85w	4000K		SP28222840	85w	4000K
	SP28220850	85w	5000K		SP28222850	85w	5000K
Mini-Groove Black Baffle	Catalog Number	Lamps	Color Temp	Flat Fresnel Glass Lens	Catalog Number	Lamps	Color Temp
	SP28221730	55w	3000k		SP28223730	55w	3000k
	SP28221740	55w	4000k		SP28223740	55w	4000K
	SP28221750	55w	5000k		SP28223750	55w	5000K
	SP28221830	85w	3000k		SP28223830	85w	3000k
	SP28221840	85w	4000k		SP28223840	85w	4000K
	SP28221850	85w	5000k		SP28223850	85w	5000K

Voltage Suffix

- 1=120V
- 2=208V
- 3=240V
- 4=277V

EXAMPLE ORDER NUMBER: SP28221850-1 = Mini-Groove Black Baffle, QL induction 55 watt lamp, 5000k, 120 volt.

ACCESSORIES



Fuse and Fuse Holder
 Suffix Catalog Number With "F"



3254 North Kilbourn Avenue Chicago, Illinois 60641-4505
 Phone: 773-427-7000 Fax: 800-217-1260 www.escolighting.com

A Woman-Owned Business
Established 1975

