



*Certified by the Florida Fish and Wildlife Conservation Commission

SPECIFICATIONS

Cylinder: .080" Aluminum, rolled and seam welded. See finish note.

Reflector: Spun aluminum #3002, polished to a mirror finish then electro-chemically processed to provide specular finish.

Ballast: Core and coil high reactance autotransformer high power factor with dry film capacitor. Minimum starting temperature of -30°C (-20°F).

Lamp: 18 watt Low Pressure Sodium T-17 Base, (by others). See table.

Lamp Holder: High heat porcelain body. Bayonet base. Copper alloy nickel plated contacts. 150C wire leads. 660 watt 1000v rating with insulated body.

Mounting Pan: (Surface & Pendant Mount) Cast aluminum with 3/4" inner collar, finished to match cylinder housing.

Mounting Strap: (Surface Mount) Painted steel, mounts directly to outlet box. Supports pan with 1/4"-20 studs and wing nuts.

Canopy Set: (Pendant Mount) 0-45° hang straight for 3/8" x 12" long steel pipe standard length with P2 accessory. Finished to match housing.**

Wall Bracket Assembly: One-piece cast aluminum bracket/arm assembly with access plate for wire inspection. Cast aluminum, wall mounting plate with 1/4" thick neoprene gasket. Quick disconnect wiring harness. Escos's **EZ5 Mounting System** allows the contractor to install the fixture in 5 minutes or less. Finished same as housing. See finish note.

Finish: Detergent cleaned with iron phosphate and chromic acid rust inhibitor. Chip resistant powder urethane polyester coating, electro-static applied and baked. Standard colors black, white and bronze. Custom colors are available. Consult factory or sales representative.

Labels: Surface and wall mount suitable for wet location; pendant mount suitable for damp location. ETL, CETL and I.B.E.W. labeled.

Fixture Warranty: The fixture mechanics are guaranteed to be free from defective material and workmanship, under normal installation and operating conditions, for five years from date of shipment from the factory. See General Terms and Conditions.

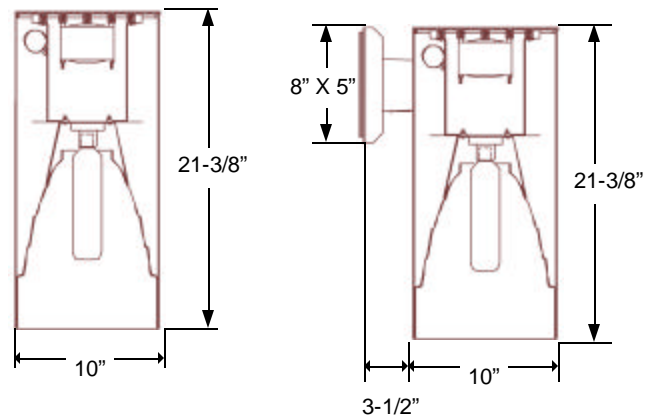
Photometric Information; Contact factory.

**Canopy set for indoor applications only; contact factory for other applications and designs.

SPECIFICATIONS SUBJECT TO CHANGE WITHOUT NOTICE



DIMENSIONS




WBE City of Chicago Certified

3254 North Kilbourn Avenue Chicago, Illinois 60641-4505
 Phone: 773-427-7000 Fax: 800-217-1260 www.escolighting.com
Established 1975





ORDERING INFORMATION

Architectural Open Downlight.	Surface Mount	Watts	Lamp Source	Voltage	Architectural Open Downlight with Baffle.	Surface Mount	Watts	Lamp Source	Voltage
	S6031-1	18	LPS	120		S6131-1	18	LPS	120
	S6031-4	18	LPS	277		S6131-4	18	LPS	277
C#73 Tempered Prismatic Glass Lens.	Surface Mount	Watts	Lamp Source	Voltage	Flat Fresnel Glass Lens.	Surface Mount	Watts	Lamp Source	Voltage
	S6231-1	18	LPS	120		S6331-1	18	LPS	120
	S6231-4	18	LPS	277		S6331-4	18	LPS	277
C#73 Prismatic Tempered Glass Lens and Splayed Stepped Baffle.	Surface Mount	Watts	Lamp Source	Voltage	Fresnel Glass Lens and Splayed Stepped Baffle.	Surface Mount	Watts	Lamp Source	Voltage
	S6531-1	18	LPS	120		S6631-1	18	LPS	120
	S6531-4	18	LPS	277		S6631-4	18	LPS	277
C#73 Prismatic Tempered Glass Lens and Splayed Baffle.	Surface Mount	Watts	Lamp Source	Voltage	Fresnel glass lens and splayed baffle.	Surface Mount	Watts	Lamp Source	Voltage
	S6831-1	18	LPS	120		S6931-1	18	LPS	120
	S6831-4	18	LPS	277		S6931-4	18	LPS	277

EXAMPLE ORDER NUMBER: S6231P224BL = C#73 Tempered Prismatic Glass Lens, 18 watt Low Pressure Sodium, Pendant Mount 24" stem, textured black.

OPTIONS & ACCESSORIES

EZ5 Wall Mount
 Change Prefix **S** to **W**.



Pendant Mount Suffix
 P2=12" long stem (standard)
 P2X="X" is custom stem length
EXAMPLE: P224= 24" long stem.

Louver Guard
 Suffix catalog number with **LG3**.

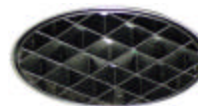


Photo Control
 Suffix Catalog # With
 PC4 =120 Volt
 PC5 =277 Volt



Ballast Options
 EM= Emergency Ballast
 DM= Dimming Ballast

Color
 Suffix Catalog Number With
 W= White
 BZ= Bronze
 BL= Black



WBE City of Chicago Certified

3254 North Kilbourn Avenue Chicago, Illinois 60641-4505
 Phone: 773-427-7000 Fax: 800-217-1260 www.escolighting.com
 Established 1975

