



## SPECIFICATIONS

**Cylinder:** .080" Aluminum, rolled and seam welded. See finish note.

**Reflector:** Spun aluminum #3002, polished to a mirror finish then electro-chemically processed to provide specular finish.

**Ballast:** Core and coil high reactance autotransformer high power factor with dry film capacitor. Minimum starting temperature of -30°C (-20°F).

**Lamp:** 18 watt Low Pressure Sodium T-17 Clear Base, (by others). See table.

**Lamp Holder:** High heat porcelain body. Bayonet base. Copper alloy nickel plated contacts. 150C wire leads. 660 watt 1000v rating with insulated body.

**Mounting Pan:** (Surface & Pendant Mount) Cast aluminum with 3/4" inner collar, finished to match cylinder housing.

**Mounting Strap:** (Surface Mount) Painted steel, mounts directly to outlet box. Supports pan with 1/4"-20 studs and wing nuts.

**Canopy Set:** (Pendant Mount) 0-45° hang straight for 3/8" I.P. Finished to match housing.

**Wall Bracket Assembly:** One-piece cast aluminum bracket/arm assembly with access plate for wire inspection. Cast aluminum, wall mounting plate with 1/4" thick neoprene gasket. Quick disconnect wiring harness. Escos's **EZ5 Mounting System** allows the contractor to install the fixture in 5 minutes or less. Finished same as housing. See finish note.

**Finish:** Detergent cleaned with iron phosphate and chromic acid rust inhibitor. Chip resistant powder urethane polyester coating, electro-static applied and baked. Standard colors black, white and bronze. Custom colors are available. Consult factory or sales representative.

**Labels:** ETL, CETL listed & I.B.E.W labeled; flush and pendant mount suitable for wet location for under canopy mounting, wet location for wall mount.

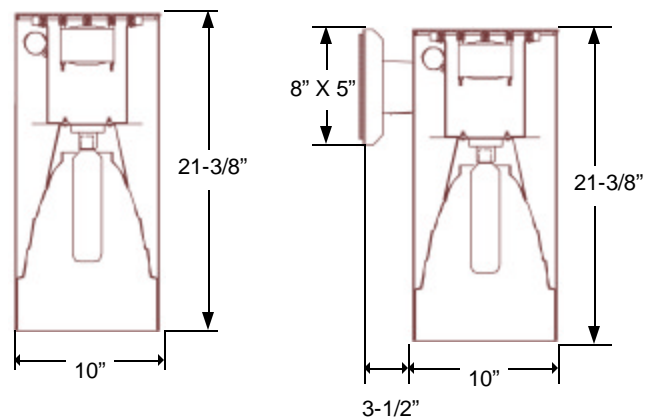
**Fixture Warranty:** The fixture mechanics are guaranteed to be free from defective material and workmanship, under normal installation and operating conditions, for five years from date of shipment from the factory. See General Terms and Conditions.

**Photometric Information;** Contact factory.

**SPECIFICATIONS SUBJECT TO CHANGE WITHOUT NOTICE**



## DIMENSIONS



3254 North Kilbourn Avenue Chicago, Illinois 60641-4505  
Phone: 773-427-7000 Fax: 800-217-1260 [www.escolighting.com](http://www.escolighting.com)

**A Woman-Owned Business**

**Established 1975**





## ORDERING INFORMATION

Architectural Open Downlight.	Surface Mount	Watts	Lamp Source	Voltage	Architectural Open Downlight with Baffle.	Surface Mount	Watts	Lamp Source	Voltage
	S6031-1	18	LPS	120		S6131-1	18	LPS	120
	S6031-4	18	LPS	277		S6131-4	18	LPS	277
C#73 Tempered Prismatic Glass Lens.	Surface Mount	Watts	Lamp Source	Voltage	Flat Fresnel Glass Lens.	Surface Mount	Watts	Lamp Source	Voltage
	S6231-1	18	LPS	120		S6331-1	18	LPS	120
	S6231-4	18	LPS	277		S6331-4	18	LPS	277
C#73 Prismatic Tempered Glass Lens and Splayed Stepped Baffle.	Surface Mount	Watts	Lamp Source	Voltage	Fresnel Glass Lens and Splayed Stepped Baffle.	Surface Mount	Watts	Lamp Source	Voltage
	S6531-1	18	LPS	120		S6631-1	18	LPS	120
	S6531-4	18	LPS	277		S6631-4	18	LPS	277
C#73 Prismatic Tempered Glass Lens and Splayed Baffle.	Surface Mount	Watts	Lamp Source	Voltage	Fresnel glass lens and splayed baffle.	Surface Mount	Watts	Lamp Source	Voltage
	S6831-1	18	LPS	120		S6931-1	18	LPS	120
	S6831-4	18	LPS	277		S6931-4	18	LPS	277



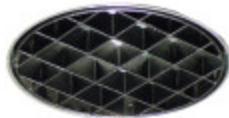
**Wall Mount Prefix**  
 Cast aluminum wall mount option. Change "S" in catalog number to "W".

**Pendant Mount Suffix**  
 P2x=10" dia. Cylinder. (x = required stem length in inches).

**Color Suffix**  
 BZ=Textured Bronze  
 BL=Textured Black  
 W=Sky White  
 Other Consult Factory

**EXAMPLE ORDER NUMBER: S6231P224BL** = C#73 Tempered Prismatic Glass Lens, 18 watt Low Pressure Sodium, Pendant Mount 24" stem, textured black.

## OPTIONS & ACCESSORIES



Louver guard option. Suffix catalog number with LG3.

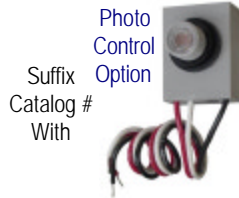


Photo Control Option  
 Suffix Catalog # With

PC4 120 Volt  
 PC5 277 Volt



Fuse and Fuse Holder  
 Suffix Catalog Number With "F"



3254 North Kilbourn Avenue Chicago, Illinois 60641-4505  
 Phone: 773-427-7000 Fax: 800-217-1260 [www.escolighting.com](http://www.escolighting.com)

**A Woman-Owned Business**  
 Established 1975

