


**Specifications**


**Mounting Pan:** 20 gauge (.036") galvanized steel die formed, universal mounting pan. Fits most ceiling systems up to 1 3/4" thick. Optional bar hanger brackets and bars available.  
**Reflector:** 22 gauge (.029") C.R.S. die formed construction. Computer designed and finished high gloss white 90% reflectance polyester powder coating.  
**Reflector Top:** Extruded aluminum, supports lamp and socket, dissipates heat for extended lamp life.  
**Trim Frame:** 20 gauge (.036") C.R.S. one piece construction, gasketed with torsion spring lock-up. Finished matte white.  
**Ballast:** Pre-wired, CWA HPF, encased and potted super silent thermally protected. Core and coil for 250W .  
**Thermal Device:** Automatic resetting heat sensitive device for non-IC installations. Protects fixture from overheating if insulation covers fixture.


**Lamp:** Clear, medium base (by others). See ordering information.  
**Lamp Holder:** Hi-heat porcelain, 4 K.V. rated, w/nickel plated copper screw shell, spring loaded center contact, lamp grips, SF-2 leads (200° C). Impregnated gasket.  
**Finish:** All painted parts are washed in alkaline solution, rinsed in an iron phosphate, baked dry, then painted with a TGIC polyester powder coating electrostatic applied and baked.  
**Labels:** U/L, CU/L listed suitable for wet location under covered ceiling. I.B.E.W. labeled.  
**Photometric Information:** Contact factory.

*SPECIFICATIONS SUBJECT TO CHANGE WITHOUT NOTICE*

**RVP2000Series**  
**Ordering Information**  
**& Lens Options**

RVP2100 SERIES 1/2 x 1/2 INCH LOUVER AND C73 PRISMATIC TEMPERED GLASS LENS.	Cat. No.	Wattage	Light Source
	RVP2112	50	High Pressure Sodium
	RVP2113	70	
	RVP2114	100	
	RVP2115	150	
	RVP2122	50	Metal Halide
	RVP2123	70	
	RVP2124	100	
	RVP2125	150	
	RVP2126	175	
	RVP21217	175 PS	
*Only available in core & coil ballast. RVP2127*	250		

RVP2200 SERIES REGRESSED C73 PRISMATIC TEMPERED GLASS LENS.	Cat. No.	Wattage	Light Source
	RVP2212	50	High Pressure Sodium
	RVP2213	70	
	RVP2214	100	
	RVP2215	150	
	RVP2222	50	Metal Halide
	RVP2223	70	
	RVP2224	100	
	RVP2225	150	
	RVP2226	175	
	RVP22217	175 PS	

RVP2300 SERIES REGRESSED FRESNEL GLASS LENS.	Cat. No.	Wattage	Light Source
	RVP2312	50	High Pressure Sodium
	RVP2313	70	
	RVP2314	100	
	RVP2315	150	
	RVP2322	50	Metal Halide
	RVP2323	70	
	RVP2324	100	
	RVP2325	150	
	RVP2326	175	
	RVP23217	175 PS	

RVP2400 SERIES C73 PRISMATIC TEMPERED GLASS LENS.

Cat. No.	Wattage	Light Source
RVP2412	50	High Pressure Sodium
RVP2413	70	
RVP2414	100	
RVP2415	150	
RVP2422	50	Metal Halide
RVP2423	70	
RVP2424	100	
RVP2425	150	
RVP2426	175	
RVP24217	175 PS	



\*Only available in core & coil ballast.

RVP2427\* 250

RVP2700 SERIES DROP PRISMATIC HOLOPHANE FRESNEL GLASS LENS.

Cat. No.	Wattage	Light Source
RVP2712	50	High Pressure Sodium
RVP2713	70	
RVP2714	100	
RVP2715	150	
RVP2722	50	
RVP2723	70	Metal Halide
RVP2724	100	
RVP2725	150	
RVP2726	175	
RVP27217	175 PS	
RVP2727*	250	



\*Only available in core & coil ballast.

RVP2727\* 250

RVP2900 SERIES DROP PRISMATIC POLYCARBONATE LENS.

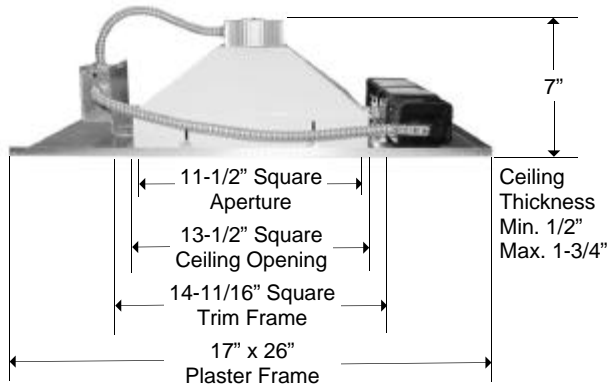
Cat. No.	Wattage	Light Source
RVP2912	50	High Pressure Sodium
RVP2913	70	
RVP2914	100	
RVP2915	150	
RVP2922	50	Metal Halide
RVP2923	70	
RVP2924	100	
RVP2925	150	
RVP2926	175	
RVP29217	175 PS	
RVP2927*	250	



\*Only available in core & coil ballast.

RVP2927\* 250

**Dimensional Information**



RVP2500 SERIES FLAT FRESNEL GLASS LENS.

Cat. No.	Wattage	Light Source
RVP2512	50	High Pressure Sodium
RVP2513	70	
RVP2514	100	
RVP2515	150	
RVP2522	50	Metal Halide
RVP2523	70	
RVP2524	100	
RVP2525	150	
RVP2526	175	
RVP25217	175 PS	
RVP2527*	250	



\*Only available in core & coil ballast.

RVP2527\* 250

RVP2800 SERIES DROP PRISMATIC ACRYLIC LENS.

Cat. No.	Wattage	Light Source
RVP2812	50	High Pressure Sodium
RVP2813	70	
RVP2814	100	
RVP2815	150	
RVP2822	50	
RVP2823	70	Metal Halide
RVP2824	100	
RVP2825	150	
RVP2826	175	
RVP28217	175 PS	
RVP2827*	250	



\*Only available in core & coil ballast.

RVP2827\* 250

**Accessories**



Tamper proof screw option suffix catalog number with TP.



Fuse and Fuse Holder Suffix Catalog Number With "F"



Wire guard option. Suffix catalog number with WG01.



Stainless steel trim frame option. Prefix catalog number with RSV.

Suffix Cat. No. With	Quartz Re-strike Systems
E1A	MINI-CAN SOCKET ASSEMBLY FOR SEPARATE CIRCUIT ENTRY WITH RELAY SYSTEM FOR ONE LAMP BURNING ONLY.
E2	EMERGENCY RE-STRIKE SYSTEM, MINI-CAN SOCKET ASSEMBLY (100-150 WATT MAX LAMP).
E65	EMERGENCY RE-STRIKE SYSTEM, MINI-CAN SOCKET ASSEMBLY (100-150 WATT MAX LAMP) TIME DELAY RELAY.

