

Specifications

Mounting Pan: 20 gauge (.036") galvanized steel die formed, universal mounting pan. Fits between studs on 16" centers and most ceiling systems up to 1 3/4" thick.

Reflector: 22 gauge (.029") C.R.S. die formed construction. Computer designed and finished high gloss white 90% reflectance polyester powder coating.

Reflector Top: Extruded aluminum (single lamp fixtures), supports lamp and socket, dissipates heat for extended lamp life.

Trim Frame: 20 gauge (.036") C.R.S. one piece construction, gasketed with torsion spring lock-up. Finished matte white.

Ballast: Compact fluorescent electronic high power factor class P, universal voltage 120 thru 277 volt; 50/60 Hz.

Lamp: Compact fluorescent PLT lamp max. 57W, 4 pin base (by others).

Lamp Holder: Vertically mounted white thermoplastic with snap-in lamp retainer springs. See table.

Finish: All painted parts are washed in alkaline solution, rinsed in an iron phosphate, baked dry, then painted with a TGIC polyester powder coating electrostatic applied and baked.

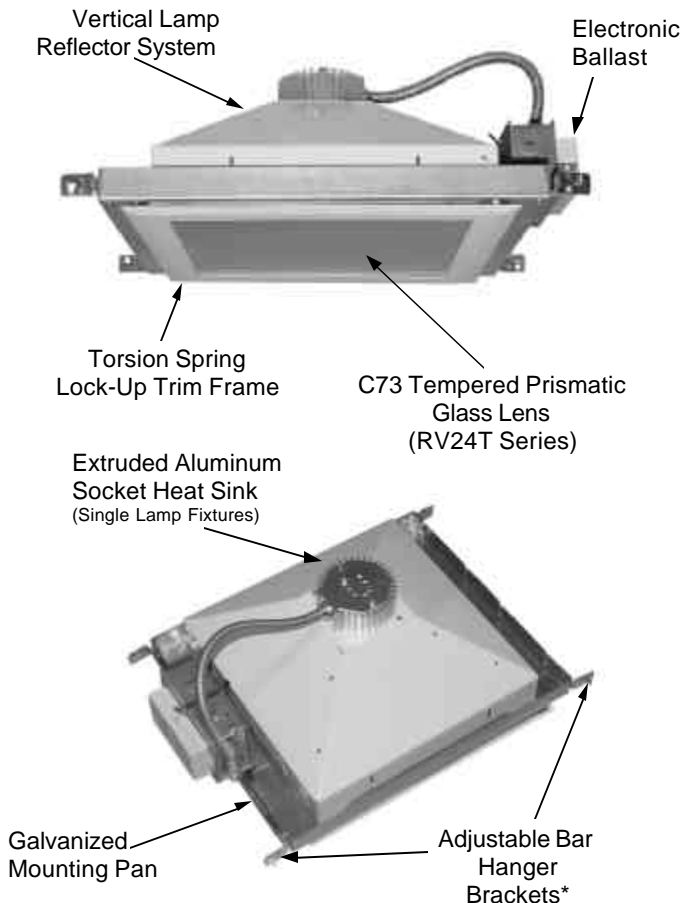
Labels: ETL, CETL listed suitable for damp location under covered ceiling. I.B.E.W. labeled.

Fixture Warranty: The fixture mechanics are guaranteed to be free from defective material and workmanship, under normal installation and operating conditions, for five years from date of shipment from the factory. See General Terms and Conditions.

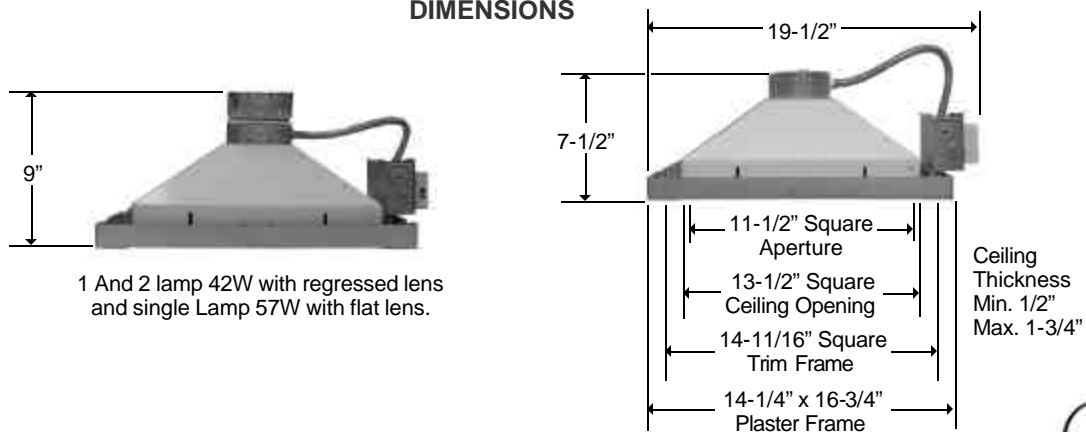
Photometric Information: Contact factory.

* Standard bar hanger brackets included with fixture. Other bar hanger brackets and bars available. Contact factory.

SPECIFICATIONS SUBJECT TO CHANGE WITHOUT NOTICE



DIMENSIONS




WBE City of Chicago Certified

3254 North Kilbourn Avenue Chicago, Illinois 60641-4505
 Phone: 773-427-7000 Fax: 773-427-7007 www.escolighting.com
Established 1975




Ordering Information


½ x ½ INCH LOUVER WITH C73 PRISMATIC TEMPERED GLASS LENS.

	Catalog Number	Wattage	Lamp Base
	RV21T3	26W	GX24q-3
	RV21T4	32W	GX24q-3
	RV21T5	42W	GX24q-4
	RV212T3	2-26W	GX24q-3
	RV212T4	2-32W	GX24q-3
	RV212T5	2-42W	GX24q-4


REGRESSED C73 PRISMATIC TEMPERED GLASS LENS.

	Catalog Number	Wattage	Lamp Base
	RV22T3	26W	GX24q-3
	RV22T4	32W	GX24q-3
	RV22T5	42W	GX24q-4
	RV222T3	2-26W	GX24q-3
	RV222T4	2-32W	GX24q-3
	RV222T5	2-42W	GX24q-4

C73 PRISMATIC TEMPERED GLASS LENS.

	Catalog Number	Wattage	Lamp Base
	RV24T3	26W	GX24q-3
	RV24T4	32W	GX24q-3
	RV24T5	42W	GX24q-4
	RV24T6	57W	GX24q-5
	RV242T3	2-26W	GX24q-3
	RV242T4	2-32W	GX24q-3
	RV242T5	2-42W	GX24q-4


FLAT FRESNEL GLASS LENS.

	Catalog Number	Wattage	Lamp Base
	RV25T3	26W	GX24q-3
	RV25T4	32W	GX24q-3
	RV25T5	42W	GX24q-4
	RV25T6	57W	GX24q-5
	RV252T3	2-26W	GX24q-3
	RV252T4	2-32W	GX24q-3
	RV252T5	2-42W	GX24q-4

DROP PRISMATIC HOLOPHANE FRESNEL GLASS LENS.

	Catalog Number	Wattage	Lamp Base
	RV27T3	26W	GX24q-3
	RV27T4	32W	GX24q-3
	RV27T5	42W	GX24q-5
	RV27T6	57W	GX24q-5
	RV272T3	2-26W	GX24q-3
	RV272T4	2-32W	GX24q-3
	RV272T5	2-42W	GX24q-4

DROP PRISMATIC ACRYLIC LENS.

	Catalog Number	Wattage	Lamp Base
	RV28T3	26W	GX24q-3
	RV28T4	32W	GX24q-3
	RV28T5	42W	GX24q-4
	RV28T6	57W	GX24q-5
	RV272T3	2-26W	GX24q-3
	RV272T4	2-32W	GX24q-3
	RV272T5	2-42W	GX24q-4

DROP PRISMATIC POLYCARBONATE LENS.

	Catalog Number	Wattage	Lamp Base
	RV29T3	26W	GX24q-3
	RV29T4	32W	GX24q-3
	RV29T5	42W	GX24q-4
	RV29T6	57W	GX24q-5
	RV292T3	2-26W	GX24q-3
	RV292T4	2-32W	GX24q-3
	RV292T5	2-42W	GX24q-4

EXAMPLE: RSV27T4= stainless steel trim frame, drop prismatic holophane fresnel glass lens, 32watt, GX24q-3 lamp base.

Options & Accessories



Stainless steel trim frame option. Prefix catalog number with RSV.



Wire guard option. Suffix catalog number with WG01.



Tamper proof screw option suffix catalog number with TP.



Fuse and Fuse Holder Suffix Catalog Number With "F"

Option
Dimming Ballast
Emergency Ballast

Suffix catalog number with
DM
EM