



R1700 Series 2x2 Flange Mount Recessed Square Racquet Ball Court Luminaire

Specifications

Mounting Frame: 20 gauge (.036") cold rolled steel (C.R.S.) die formed and welded construction with adjustable Uni-Lug levelers, for ceiling thickness of 1/2" minimum to 3-3/4" maximum. Painted sky white. See finish note.

Reflector

Aluminum .032" fabricated into one piece construction finished high gloss white 90% reflectance polyester powder coating. See finish note.

Door Frame

20 gauge (.036") C.R.S. gasketed with two 1/4 turn, spring loaded, captive, countersunk fasteners, concealed stainless steel hinging, painted sky white. See finish note.

Lens

Corning #73 prismatic tempered glass silicone caulked to door frame.

Ballast

Pre-wired C.W.A., H.P.F. core and coil with capacitor standard. Encased and potted ballast available 120V or 277V only.

Thermal Device

Automatic resetting heat sensitive device for non-IC installations. Protects fixture from overheating if insulation covers fixture.

Lamp

Clear, metal halide, mogul base (by others).

Lamp Holder

Hi-heat porcelain, 4 K.V. rated, w/nickel plated copper screw shell, spring loaded center contact, lamp grips, SF-2 leads (200° C). Impregnated gasket.

Finish

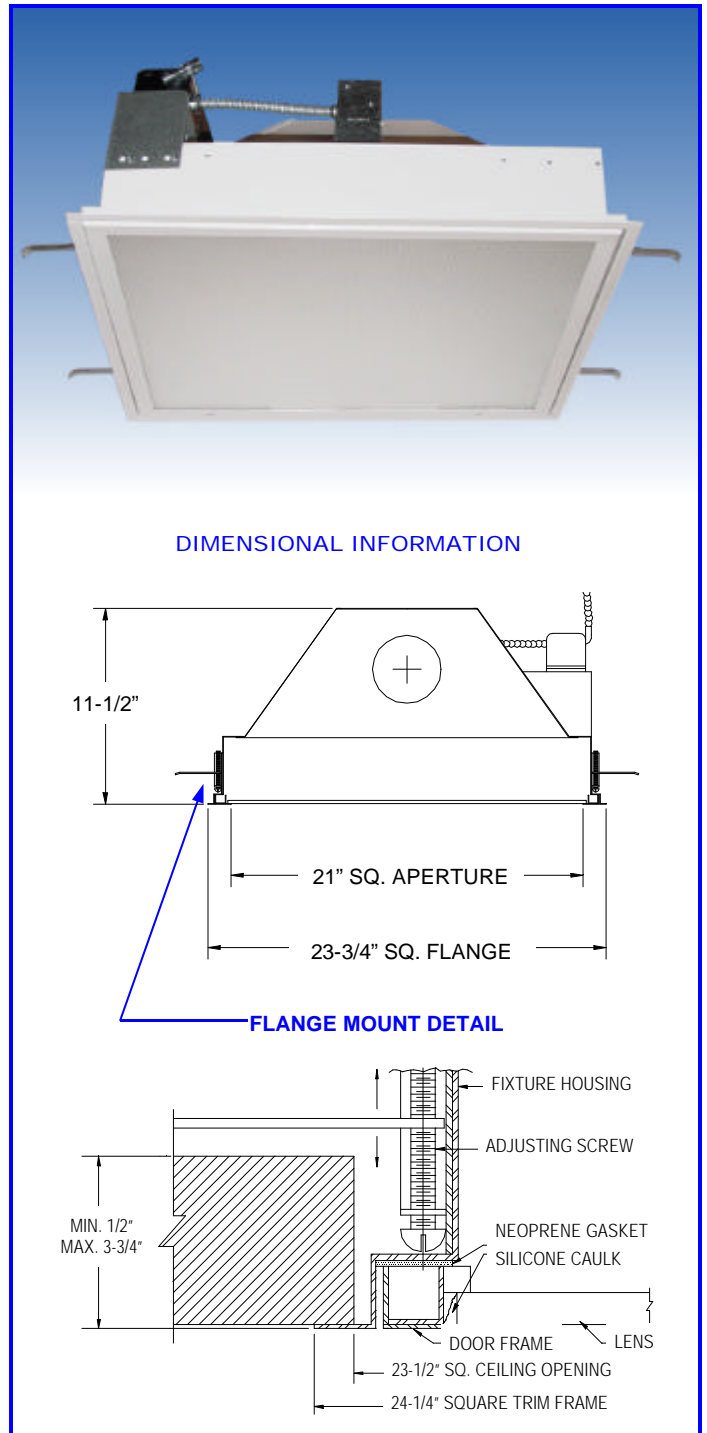
All painted parts are washed in alkaline solution, rinsed in an iron phosphate, baked dry, then painted with a TGIC polyester powder coating electrostatic applied and baked.

Labels

U/L, CU/L listed suitable for damp location. I.B.E.W. labeled. For wet location label, contact factory.

Photometric Information

Contact factory or visit www.escolighting.com.



SPECIFICATIONS SUBJECT TO CHANGE WITHOUT NOTICE

3254 North Kilbourn Avenue Chicago, Illinois 60641-4505
Phone: 773-427-7000 Fax: 800-217-1260 www.escolighting.com





R1700 Series 2x2 Flange Mount Recessed Square Racquet Ball Court Luminaire

HOW TO ORDER

Use the table below to choose the R1700 series fixture of your choice.
Select a number from each list that corresponds to a specific feature unique to your desired requirements.

EXAMPLE: R1728EP-4 = 2X2 Flange mount 400W metal halide, encased and potted ballast, 277V.

R 1 7 2 X -X

Wattage

Voltage

Core and Coil or
Encased and Potted
Ballast***

**Pulse start
core and coil**
ballast.**

1= 120V

2= 208V

3= 240V

4= 277V

5= 480V

7= 220V

**8= Multi-Tap
Wired for
277V**

**9= Multi-Tap
unwired**

0= 347V

6= 175W

7= 250W

8= 400W

17= 175W

20= 200W

25= 250W

32= 320W

35= 350W

40= 400W

45= 450W

*Suffix catalog number with EP for
encased and potted ballast.

**Suffix catalog number with EX for
core and coil epoxy filled ballast.

Typical Racquet Ball Court

55.1	59.1	62.9	66.3	68.9	71.1	72.4	73.4	73.8	74.1	74.1	73.7	73.3	72.1	70.7	68.4	65.6	62.2	58.5	54.4
57.9	62.6	66.8	70.6	73.4	75.9	77.5	78.7	79.1	79.5	79.5	79.0	78.6	77.3	75.8	73.2	70.1	66.3	62.2	57.5
60.4	65.3	69.8	73.9	77.0	79.7	81.4	82.7	83.2	83.5	83.5	83.0	82.5	81.2	79.5	76.7	73.3	69.2	64.8	59.9
62.3	67.4	72.2	76.4	79.7	82.5	84.3	85.6	86.0	86.4	86.3	85.8	85.3	83.9	82.0	79.1	75.5	71.2	66.5	61.4
63.3	68.5	73.4	77.7	81.1	84.0	85.7	87.0	87.4	87.8	87.7	87.2	86.7	85.2	83.3	80.3	76.6	72.2	67.3	62.2
63.3	68.5	73.4	77.7	81.1	84.0	85.7	87.0	87.4	87.8	87.7	87.2	86.7	85.2	83.3	80.3	76.6	72.2	67.3	62.2
62.3	67.4	72.2	76.4	79.7	82.5	84.3	85.6	86.0	86.4	86.3	85.8	85.3	83.9	82.0	79.1	75.5	71.2	66.5	61.4
60.4	65.3	69.8	73.9	77.0	79.7	81.4	82.7	83.2	83.5	83.5	83.0	82.5	81.2	79.5	76.7	73.3	69.2	64.8	59.9
57.9	62.6	66.8	70.6	73.4	75.9	77.5	78.7	79.1	79.5	79.5	79.0	78.6	77.3	75.8	73.2	70.1	66.3	62.2	57.5
55.1	59.1	62.9	66.3	68.9	71.1	72.4	73.4	73.8	74.1	74.1	73.7	73.3	72.1	70.7	68.4	65.6	62.2	58.5	54.4

Room
40' x 20' x 20'
Reflectance
C80% - W50% - F20%

Luminaire Esco R1728EP-4
Maximum: 87.8
Minimum: 54.4
Average: 74.5

Lamp: 400W Metal Halide
Lumen Output: 40,000
Light Loss Factor: .70
Luminaire Spacing: 14' x 12' on center.

3254 North Kilbourn Avenue Chicago, Illinois 60641-4505
Phone: 773-427-7000 Fax: 800-217-1260 www.escolighting.com

