

SPECIFICATIONS

Mounting Frame: 20 gauge (.036") cold rolled steel (C.R.S.) or stainless steel #304-B die formed and welded construction with adjustable Uni-Lug levelers, for ceiling thickness of 1/2" minimum to 3 3/4" maximum. Painted Sky White. See Finish Note.

Reflector: Aluminum .032" fabricated into one piece welded construction finished high gloss white 90% reflectance polyester powder coating. See Finish Note.

Door Frame: 20 gauge (.036") C.R.S. or stainless steel #304-B gasketed with two captive, countersunk fasteners, concealed stainless steel hinging, painted Sky White. See Finish Note.

Lens: C73 Prismatic tempered glass lens.

Ballast: Pre-wired C.W.A., H.P.F. core and coil with capacitor.

Thermal Device: Automatic resetting heat sensitive device for non-IC installations. Protects fixture from overheating if insulation covers fixture.

Lamp: Clear, mogul base (by others). See ordering Information.

Lamp Holder: Hi-heat porcelain, 4 K.V. rated, w/nickel plated copper screw shell, spring loaded center contact, lamp grips, SF-2 leads (200° C). Impregnated gasket.

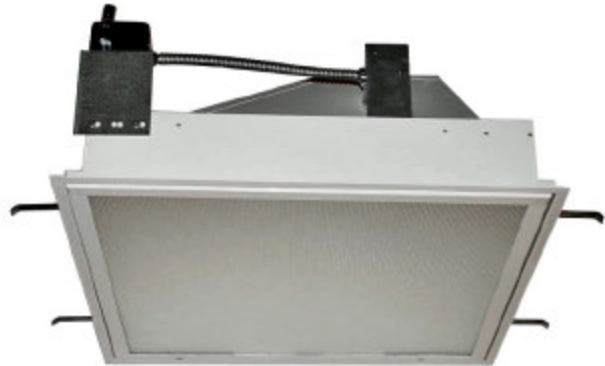
Finish: All painted parts are washed in alkaline solution, rinsed in an iron phosphate, baked dry, then painted with a TGIC polyester powder coating electrostatic applied and baked.

Labels: I.B.E.W., ETL, CETL listed. Suitable for wet location under covered ceiling.

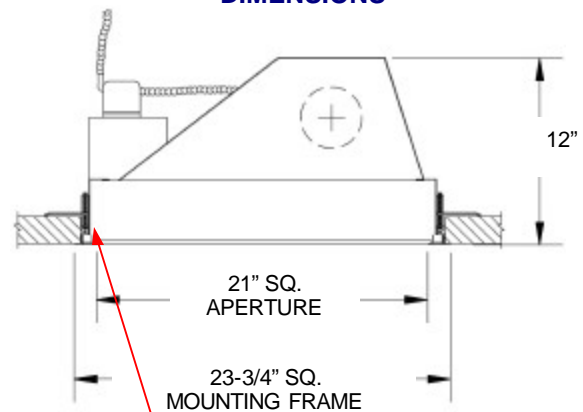
Fixture Warranty The fixture mechanics are guaranteed to be free from defective material and workmanship, under normal installation and operating conditions, for five years from date of shipment from the factory. See General Terms and Conditions.

Photometric Information: Contact factory.

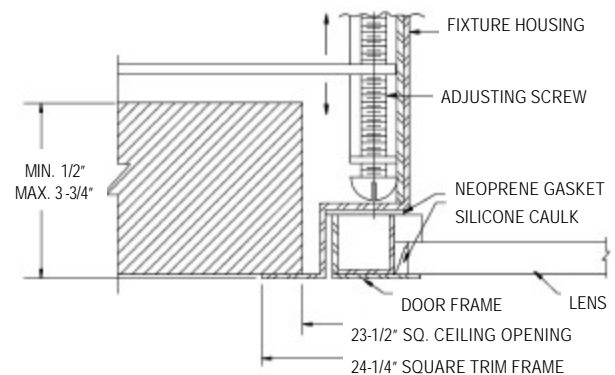
SPECIFICATIONS SUBJECT TO CHANGE WITHOUT NOTICE



DIMENSIONS



FLANGE MOUNT DETAIL



3254 North Kilbourn Avenue Chicago, Illinois 60641-4505
Phone: 773-427-7000 Fax: 800-217-1260 www.escolighting.com

A Woman-Owned Business
Established 1975

HOW TO ORDER

Cold Rolled Steel Door And Frame Material			Stainless Steel Door And Frame Material			Voltage Suffix	
Catalog Number	Light Source	Wattage	Catalog Number	Light Source	Wattage		
R10014	HPS	100W	RS10014	HPS	100W	1=	120V
R10015	HPS	150W	RS10015	HPS	150W	2=	208V
R10017	HPS	250W	RS10017	HPS	250W	3=	240V
R10018	HPS	400W	RS10018	HPS	400W	4=	277V
R10024	MH	100W	RS10024	MH	100W	5=	480V
R10025	MH	150W	RS10025	MH	150W	8=	Multi-Tap Wired for 277V
R10026	MH	175W	RS10026	MH	175W	9=	Multi-Tap Un-wired
R10027	MH	250W	RS10027	MH	250W	0=	347V
R100225	MH Pulse Start	250W	RS100225	MH Pulse Start	250W		
R100232	MH Pulse Start	320W	RS100232	MH Pulse Start	320W		
R10028	MH	400W	RS10028	MH	400W		
R100240	MH Pulse Start	400W	RS100240	MH Pulse Start	400W		

EXAMPLE: RS10024A-1 = Stainless steel, Metal Halide, vertical lamp 100W, 120V.



3254 North Kilbourn Avenue Chicago, Illinois 60641-4505
 Phone: 773-427-7000 Fax: 800-217-1260 www.escolighting.com
A Woman-Owned Business
 Established 1975

