

SPECIFICATIONS

Mounting Frame: 20 gauge (.036") cold rolled steel (C.R.S.) or stainless steel #304B, die formed and welded construction with adjustable Uni-Lug levelers. For ceiling thickness of 1/2" minimum to 3-3/4" maximum. Painted Sky White. See Finish Note.

Reflector: Aluminum .032" fabricated into one piece construction finished high gloss white 90% reflectance polyester powder coating. See Finish Note. Combination extruded aluminum reflector top / socket heat sink.

Door Frame: 20 gauge (.036") C.R.S. or stainless steel #304B, gasketed with two captive, countersunk fasteners, concealed stainless steel hinging, painted Sky White. See Finish Note.

Ballast: Pre-wired, CWA HPF, core and coil multi-tap, thermally protected.

Thermal Device: Automatic resetting heat sensitive device for non-IC installations. Protects fixture from overheating if insulation covers fixture.

Lamp: Clear, mogul base (by others). See ordering information.

Lamp Holder: Hi-heat porcelain, 4 K.V. rated, w/nickel plated copper screw shell, spring loaded center contact, lamp grips, SF-2 leads (200° C). Impregnated gasket.

Finish: All painted parts are washed in alkaline solution, rinsed in an iron phosphate, baked dry, then painted with a TGIC polyester powder coating electrostatic applied and baked.

Labels: ETL, CETL listed suitable for damp covered ceiling, damp or dry location. I.B.E.W. labeled.

Fixture Warranty: The fixture mechanics are guaranteed to be free from defective material and workmanship, under normal installation and operating conditions, for five years from date of shipment from the factory. See General Terms and Conditions.

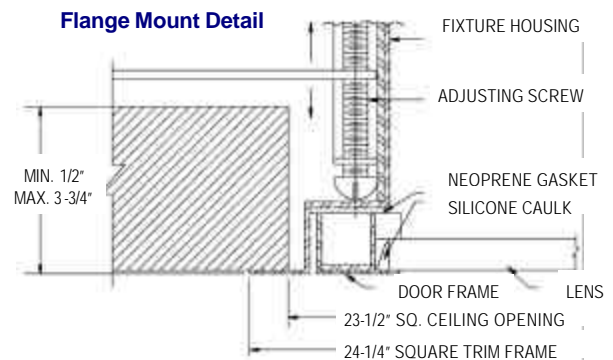
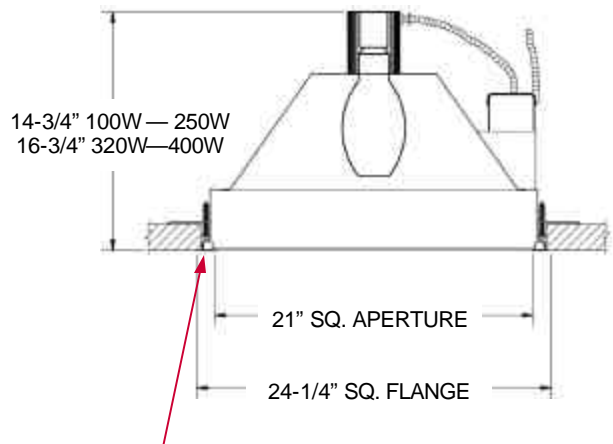
Photometric Information

Contact factory.

SPECIFICATIONS SUBJECT TO CHANGE WITHOUT NOTICE



DIMENSIONS



WBE City of Chicago Certified

3254 North Kilbourn Avenue Chicago, Illinois 60641-4505
Phone: 773-427-7000 Fax: 773-427-7007 www.escolighting.com
Established 1975



Ordering Information

C73 Prismatic Tempered Glass



Catalog Number	Light Source	Wattage
R10014V	HPS	100W
R10015V	HPS	150W
R10017V	HPS	250W
R10018V	HPS	400W
R10024V	MH	100W
R10025V	MH	150W
R10026V	MH	175W
R100217V	MH Pulse Start	175W
R10027V	MH	250W
R100225V	MH Pulse Start	250W
R100232V	MH Pulse Start	320W
R100235V	MH Pulse Start	350W
R10028V	MH	400W
R100240V	MH Pulse Start	400W

Acrylic Prismatic Drop Lens*



Catalog Number	Light Source	Wattage
R12014V	HPS	100W
R12015V	HPS	150W
R12017V	HPS	250W
R12018V	HPS	400W
R12024V	MH	100W
R12025V	MH	150W
R12026V	MH	175W
R120217V	MH Pulse Start	175W
R12027V	MH	250W
R120225V	MH Pulse Start	250W
R120232V	MH Pulse Start	320W
R120235V	MH Pulse Start	350W
R12028V	MH	400W
R120240V	MH Pulse Start	400W

Polycarbonate Prismatic Drop Lens*



Catalog Number	Light Source	Wattage
R13014V	HPS	100W
R13015V	HPS	150W
R13017V	HPS	250W
R13018V	HPS	400W
R13024V	MH	100W
R13025V	MH	150W
R13026V	MH	175W
R130217V	MH Pulse Start	175W
R13027V	MH	250W
R130225V	MH Pulse Start	250W
R130232V	MH Pulse Start	320W
R130235V	MH Pulse Start	350W
R13028V	MH	400W
R130240V	MH Pulse Start	400W

Triumph 1 Acrylic Control Lens*



Catalog Number	Light Source	Wattage
R19014V	HPS	100W
R19015V	HPS	150W
R19017V	HPS	250W
R19018V	HPS	400W
R19024V	MH	100W
R19025V	MH	150W
R19026V	MH	175W
R190217V	MH Pulse Start	175W
R19027V	MH	250W
R190225V	MH Pulse Start	250W
R190232V	MH Pulse Start	320W
R190235V	MH Pulse Start	350W
R19028V	MH	400W
R190240V	MH Pulse Start	400W

Voltage Suffix

- 1= 120V
- 2= 208V
- 3= 240V
- 4= 277V
- 5= 480V
- 6= 230V
- 7= 220V
- 8= Multi-Tap wired for 277V
- 9= Multi-Tap unwired
- 0= 347V

RS Prefix= Stainless Steel Door and Frame Material.

* Requires tempered clear glass lens above plastic lens or open rated lamps because of metal halide lamp restriction. Contact factory for more information.

EXAMPLE: RS190240V-1 = Stainless steel door and frame, Triumph 1 acrylic control lens, metal Halide vertical 400W pulse start lamp, 120V.



WBE City of Chicago Certified

3254 North Kilbourn Avenue Chicago, Illinois 60641-4505
Phone: 773-427-7000 Fax: 773-427-7007 www.escolighting.com
Established 1975

