



### SPECIFICATIONS

**Cylinder:** .080" thick aluminum rolled and seam welded. See finish note.

**Reflector:** .040" thick, spun aluminum polished to a specular finish, anodized and sealed.

**Baffle:** One-piece spun aluminum finished matte black.

**Ballast:** Philips QL induction high frequency electronic ballast 100V- 120V or 200V -277V.

**Lamp:** Philips QL induction electrodeless fluorescent 55 or 85 watt lamp with average rated life of 100,000 hours.

**Splice Box:** EZ5 mounting system with twist and lock design. Supplied with quick connect wiring harness. See anodized finish note.

**Mounting Pan:** Aluminum with 3/4" inner collar, locks up to cylinder splice box. See anodized finish note.

**Canopy Set:** (Pendant Mount) 0-45° hang straight for 3/8" x 12" long steel pipe standard length with P2 accessory. Finished to match housing.\*\*

**Wall Bracket Assembly:** One-piece cast aluminum bracket /arm assembly with access plate for wire inspection. Cast aluminum, wall mounting plate with 1/4" thick neoprene gasket. Quick disconnect wiring harness. Esco's EZ5 Mounting System allows the contractor to install the fixture in 5 minutes or less. Finished same as housing. See finish note.

**Finish:** Detergent cleaned with iron phosphate and chromic acid rust inhibitor. Chip resistant powder urethane polyester coating, electrostatic applied and baked. Standard colors are textured black, textured bronze and white. Custom colors are available. Consult factory or sales representative.

**Labels:** Surface and wall mount suitable for wet location; pendant mount suitable for damp location. ETL, CETL and I.B.E.W. labeled.

**Fixture Warranty:** The mechanics are guaranteed to be free from defective material and workmanship, under normal installation and operating conditions, for five years from date of shipment from the factory. All induction system components are warranted by the original manufacturer of the induction lighting system components, and subject to that manufacturer's warranty.

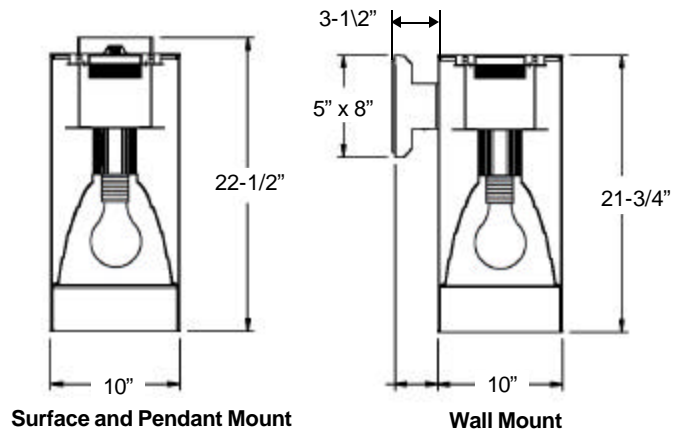
**Photometric Information:** Contact factory.

\*\*Canopy set for indoor applications only; contact factory for other applications and designs.

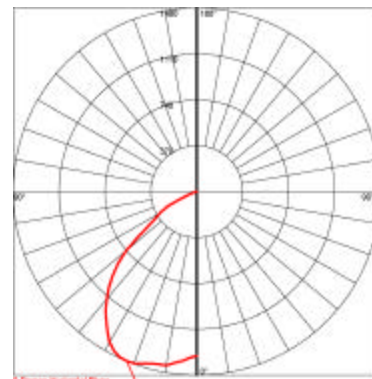
**SPECIFICATIONS SUBJECT TO CHANGE WITHOUT NOTICE**



### Dimensions



### Photometrics



WBE City of Chicago Certified

3254 North Kilbourn Avenue Chicago, Illinois 60641-4505  
Phone: 773-427-7000 Fax: 800-217-1260 [www.escolighting.com](http://www.escolighting.com)  
Established 1975





### ORDERING INFORMATION

Open Downlight	Surface Mount	Lamps	Color Temp	Mini-Groove Black Baffle	Surface Mount	Lamps	Color Temp
	S60730	55w	3000k		S61730	55w	3000k
	S60740	55w	4000K		S61740	55w	4000k
	S60750	55w	5000K		S61750	55w	5000k
	S60830	85w	3000k		S61830	85w	3000k
	S60840	85w	4000K		S61840	85w	4000k
	S60850	85w	5000K		S61850	85w	5000k

#### VOLTAGE SUFFIX

1= 100V-120V

4= 200V-277V

### OPTIONS & ACCESSORIES



**Fuse and Fuse Holder**  
Suffix Catalog Number With F



**Louver Guard**  
Suffix catalog number with LG3.

**EZ5 Wall Mount**  
Change Prefix S to W.



**Photo Control**  
Suffix Catalog # With

PC4 =120 Volt

PC5 =277 Volt



**Pendant Mount Suffix**

P2=12" long stem (standard)  
P2X="X" is custom stem length  
**EXAMPLE:** P224= 24" long stem.

#### Color Suffix

BZ= Textured Bronze, BL= Textured Black, W= Sky White.

**EXAMPLE ORDER NUMBER: S63730P224BL1**= QL induction 55 watt lamp, 3000k,100V-120V, with flat fresnel glass lens, 24" stem, textured black.

**WBE City of Chicago Certified**

3254 North Kilbourn Avenue Chicago, Illinois 60641-4505  
Phone: 773-427-7000 Fax: 800-217-1260 [www.escolighting.com](http://www.escolighting.com)

Established 1975

