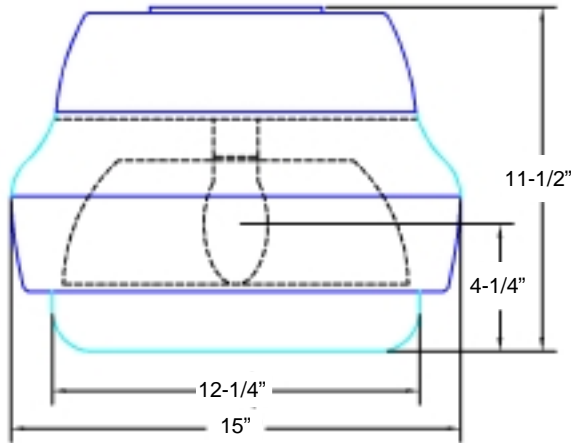




GSM023^{SERIES}
 Direct / Indirect Surface Mount Area Light
 Maximum 175 Watt **Open Rated** Metal Halide
 150W High Pressure Sodium



Application: Ideal for parking garages, entrances, walkways, loading docks, recreation areas and other general applications.

Specifications

Housing: Heavy duty die cast aluminum with quick mount system. White powder coated finish. See finish note.

Lens: Injection molded acrylic lens computer designed for wide distribution pattern, gasketed to frame.

Reflector: One piece anodized aluminum, designed in conjunction with the lens for efficiency.

Ballast: Pre-wired C.W.A., H.P.F. core and coil with capacitor.

Lamp: Clear med. Base **open rated** lamp (by others).

Lamp Holder: High heat 4 K.V. rated, w/nickel plated copper screw shell, spring loaded center contact, lamp grips, SF-2 leads (200° C). Impregnated gasket.

Finish: White, detergent cleaned, prime coated. Chip resistant powder urethane polyester coating, electrostatic applied and baked.

Photometric Information: Contact factory.

Labels: U/L, CU/L listed suitable for wet location, under covered ceiling applications.

I.B.E.W. labeled.

SPECIFICATIONS SUBJECT TO CHANGE WITHOUT NOTICE

Catalog Number	Watts	Light Source
GSM02313	70	HPS
GSM02314	100	HPS
GSM02315	150	HPS
GSM02323	70	MH
GSM02324	100	MH
GSM02325	150	MH
GSM02326	175	MH